

# PARTS CATALOGUE



MLNM4



DPBMC

# MTN155 ( BHM1 ) MALAYSIA

MTN155  
PARTS CATALOGUE  
©2020 by Yamaha Motor Co., Ltd.  
1st edition, June 2020  
All rights reserved.  
Any reprinting or unauthorized use  
without the written permission of  
Yamaha Motor Co., Ltd.  
is expressly prohibited.  
Printed in Japan.

# FOREWORD

This Parts Catalogue is related to the parts for the model(s) on the cover page. When you are ordering replacement parts, please refer to this Parts Catalogue and quote both part numbers and part names correctly.

1. Modifications or additions which have been made after the issue of the Parts Catalogue will be announced in the Parts News.  
It is advisable that you make the necessary corrections to the Parts Catalogue according to the Parts News.
2. Abbreviations  
The following abbreviations are used in this Parts Catalogue.  
“UR” Use specified parts number.  
“UN” Use as many as needed.  
“AP” Alternate Parts  
“LM” Locally Made (Parts need to be ordered locally)  
“F#” Frame No. (Applicable machine No.)  
“O/S” Over Size
3. The number of components for assembly
  - Parts, which are to be supplied in an assembly, are listed with a dot (.) in front of the part name as shown below.
  - The numeral appearing to the right of each component part indicates the quantity of parts for each assembly unit.

PART NO.	DESCRIPTION	Q'TY	REMARKS
2F5-83310-60	FRONT FLASHER LIGHT ASSY	2	
115-83311-60	.BULB (6V-18W)	1	

4. Applicable colours of graphics are represented in the “REMARKS” as shown below.

PART NO.	DESCRIPTION	Q'TY	REMARKS
2N4-24110-00-X5	FUEL TANK COMP.	2	MXR
3J1-24240-10	.GRAPHIC, FUEL TANK	1	FOR MXR

5. Note that the illustrations for reference in finding parts numbers are not to be used for assembling. When assembling, please use the applicable service manual.

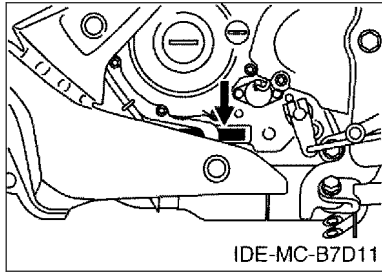
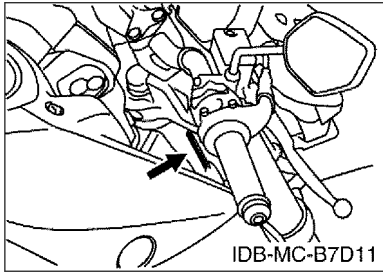
6. The asterisk (\*) before a reference number indicates modified items after the first edition.

# FOREWORD

7. Applicable Serial No.

Frame Serial No.

Engine Serial No.



8. Applicable Colour Code (The (\*) mark shows Model colour.)

Abbreviation	Colour Name	Colour Code
DPBM15	DEEP PURPLISH BLUE METALLIC 15	1329
DPBMC(*)	DEEP PURPLISH BLUE METALLIC C	0564
MBL2	MAT BLACK 2	0582
MLNM4(*)	MAT LIGHT GRAY METALLIC 4	1700
VYRS6	VIVID YELLOWISH RED SOLID 6	1699
YB	YAMAHA BLACK	0033

9. Applicable Starting Serial No.

Frame Serial No.

Serial No.	Name Of Q'ty Column	Model Code

Engine Serial No.

Serial No.	Name Of Q'ty Column	Model Code

# CONTENTS

## ENGINE

CYLINDER HEAD.....	1
CRANKSHAFT & PISTON.....	2
VALVE.....	4
CAMSHAFT & CHAIN.....	5
WATER PUMP.....	6
RADIATOR & HOSE.....	7
OIL PUMP.....	8
INTAKE.....	9
EXHAUST.....	11
CRANKCASE.....	12
CRANKCASE COVER 1.....	13
STARTER CLUTCH.....	14
CLUTCH.....	15
TRANSMISSION.....	17
SHIFT CAM & FORK.....	19
SHIFT SHAFT.....	20

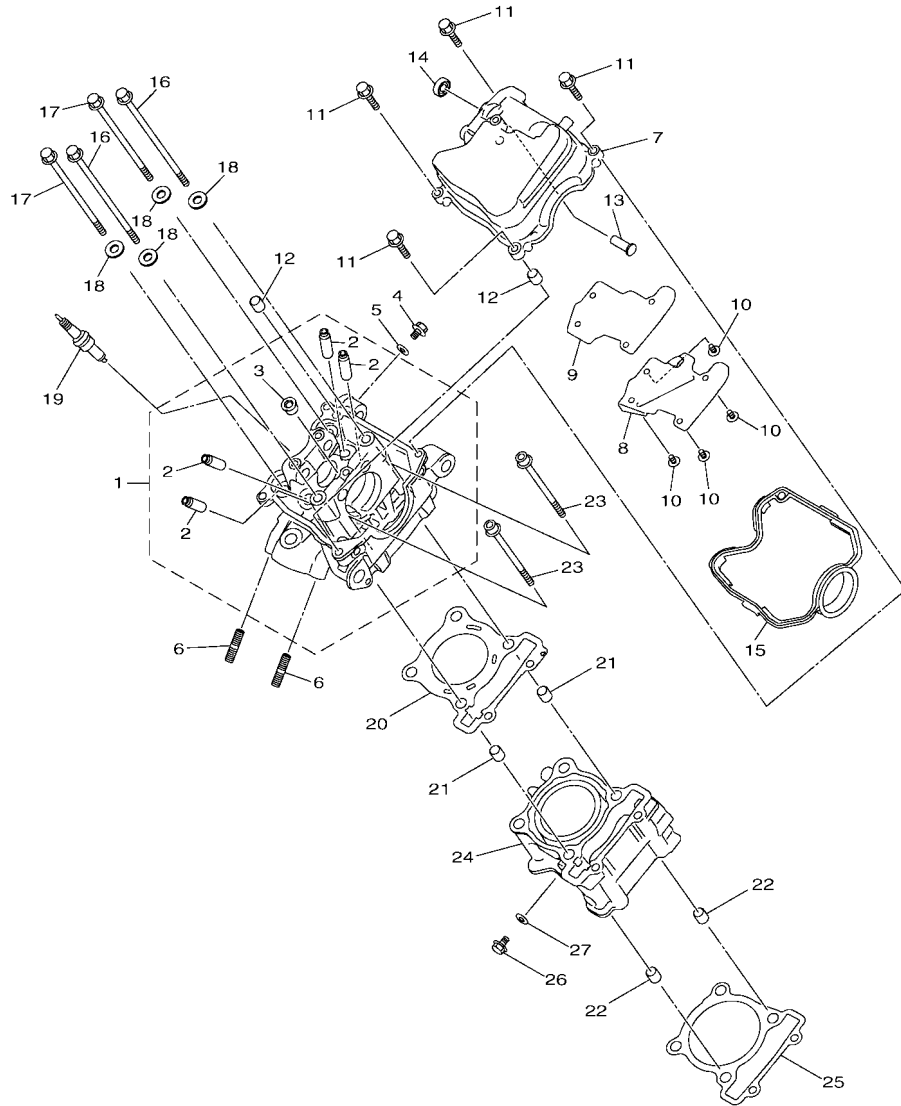
## CHASSIS

FRAME.....	21
FENDER.....	22
SIDE COVER.....	24
REAR ARM & SUSPENSION.....	26
STEERING.....	27
FRONT FORK.....	28
FUEL TANK.....	30
FUEL TANK 2.....	31
SEAT.....	33
FRONT WHEEL.....	34
FRONT BRAKE CALIPER.....	35
REAR WHEEL.....	36
REAR BRAKE CALIPER.....	37
STEERING HANDLE & CABLE.....	38
FRONT MASTER CYLINDER.....	39
STAND & FOOTREST.....	40
REAR MASTER CYLINDER.....	42
LEG SHIELD.....	43
GENERATOR.....	45
STARTING MOTOR.....	46
FLASHER LIGHT.....	47

METER.....	48
HEADLIGHT.....	49
TAILLIGHT.....	50
HANDLE SWITCH & LEVER.....	51
ELECTRICAL 1.....	52
ELECTRICAL 2.....	53

## INDEX

NUMERICAL INDEX.....	55
----------------------	----

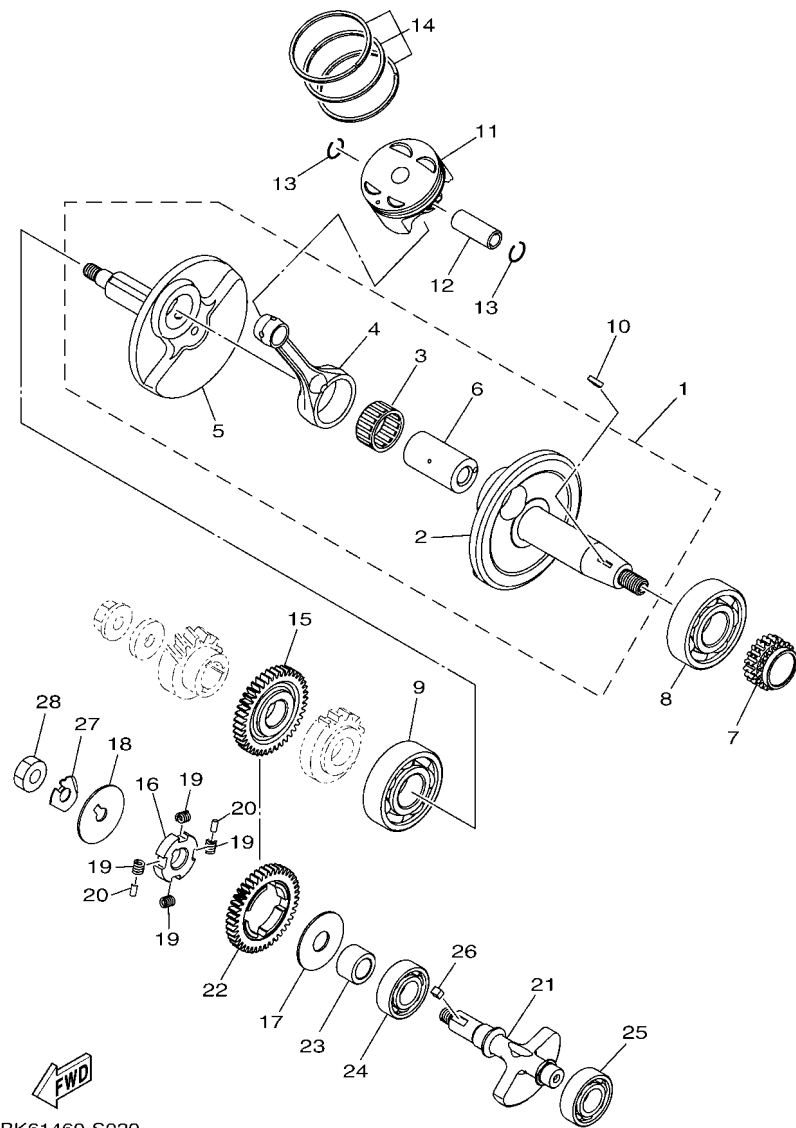


**FIG. 1 CYLINDER HEAD**

REF. NO.	PART NO.	DESCRIPTION	BHM1				REMARKS
1	BK6-E1102-00	CYLINDER HEAD ASSY	1				
2	2DP-E1133-10	.GUIDE, VALVE 1	4				
3	90340-12813	.PLUG, STRAIGHT SCREW	1				
4	95022-06010	BOLT, FLANGE	1				
5	90430-06014	GASKET	1				
6	95612-08618	BOLT, STUD	2				
7	BK6-E1191-00	COVER, CYLINDER HEAD 1	1				
8	BK6-E1165-00	PLATE, BREATHER	1				
9	BK6-E1169-00	GASKET, BREATHER COVER	1				
10	90149-05801	SCREW	4				
11	95022-06030	BOLT, FLANGE	4				
12	99530-08012	PIN, DOWEL	2				
13	BK6-E132G-00	ROD 1	1				
14	93102-08800	OIL SEAL	1				
15	B3F-E1193-00	GASKET, HEAD COVER 1	1				
16	BK6-E1361-00	BOLT, CYLINDER HOLDING 1	2				
17	BK6-E1362-00	BOLT, CYLINDER HOLDING 2	2				
18	90201-08859	WASHER, PLATE	4				
19	94700-00439	PLUG, SPARK (NGK MR8E-9)	1				
20	2DP-E1181-00	GASKET, CYLINDER HEAD 1	1				
21	91810-14809	PIN, DOWEL	2				
22	91810-14809	PIN, DOWEL	2				
23	90110-06378	BOLT, HEXAGON SOCKET HEAD	2				
24	2DP-E1311-10	CYLINDER 1	1				
25	BK6-E1351-00	GASKET, CYLINDER	1				
26	95022-06010	BOLT, FLANGE	1				
27	90430-06014	GASKET	1				



B7D1431-U010

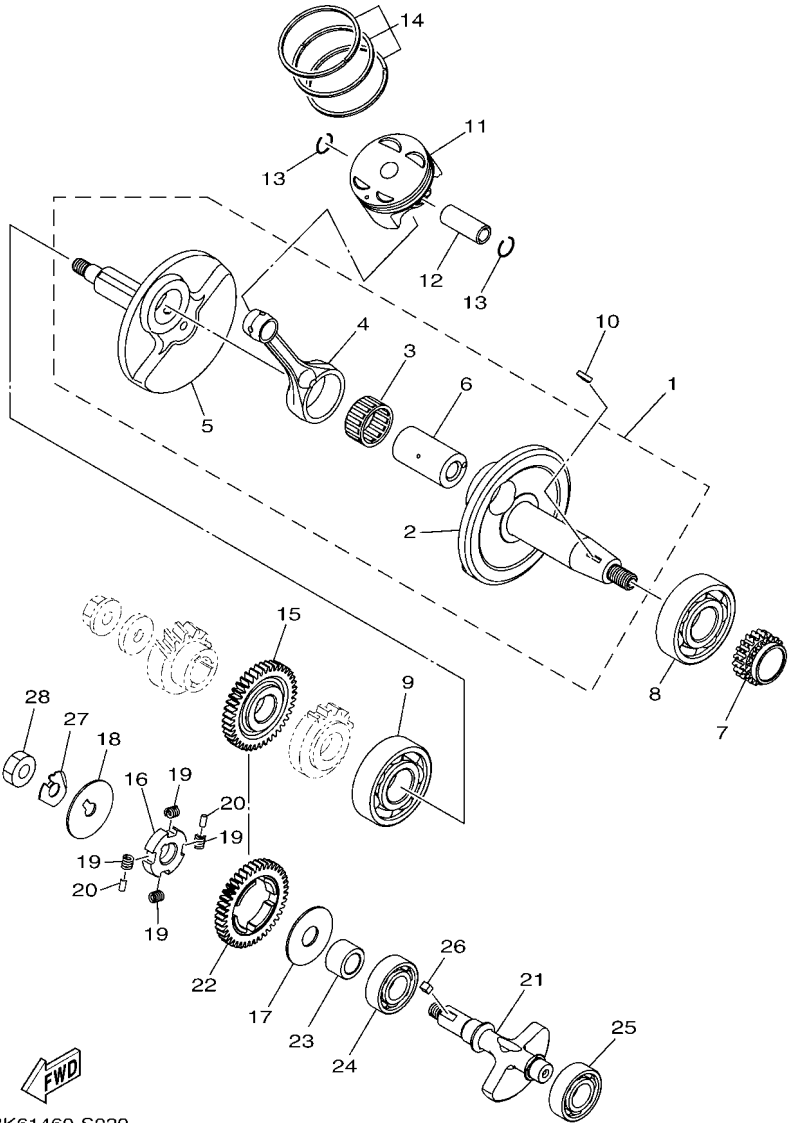


BK61460-S020

FIG. 2 CRANKSHAFT & PISTON

REF. NO.	PART NO.	DESCRIPTION	BHM1				REMARKS
1	BK6-E1400-00	CRANKSHAFT ASSY	1				
2	BK6-E1412-00	.CRANK 1	1				
3	93310-526YT	.BEARING	1				
4	BK6-E1651-00	.ROD, CONNECTING	1				
5	BK6-E1422-00	.CRANK 2	1				
6	BK6-E1681-00	.PIN, CRANK 1	1				
7	BK6-E1549-00	SPROCKET, CAM CHAIN	1				
8	93306-305X7	BEARING	1				
9	93306-305XV	BEARING	1				
10	90280-03017	KEY, WOODRUFF	1				
11	BK6-E1631-00	PISTON (STD)	1				
12	2DP-E1633-00	PIN, PISTON	1				
13	93450-16115	CIRCLIP	2				
14	BK6-E1603-00	PISTON RING SET (STD)	1				
15	BK6-E1536-00	GEAR, DRIVE	1				
16	21C-E1496-20	BOSS, BUFFER	1				
17	90201-15821	WASHER, PLATE	1				
18	90214-10800	WASHER, CLAW	1				
19	90501-16800	SPRING, COMPRESSION	4				
20	93604-08800	PIN, DOWEL	2				
21	BK7-E1454-00	WEIGHT 1	1				
22	BK6-E1531-10	GEAR, BALANCE WEIGHT	1				
23	90387-15810	COLLAR	1				
24	93306-203XK	BEARING	1				
25	93306-203XK	BEARING	1				
26	90282-05031	KEY, STRAIGHT	1				
27	90215-10803	WASHER, LOCK	1				

**FIG. 2 CRANKSHAFT & PISTON**

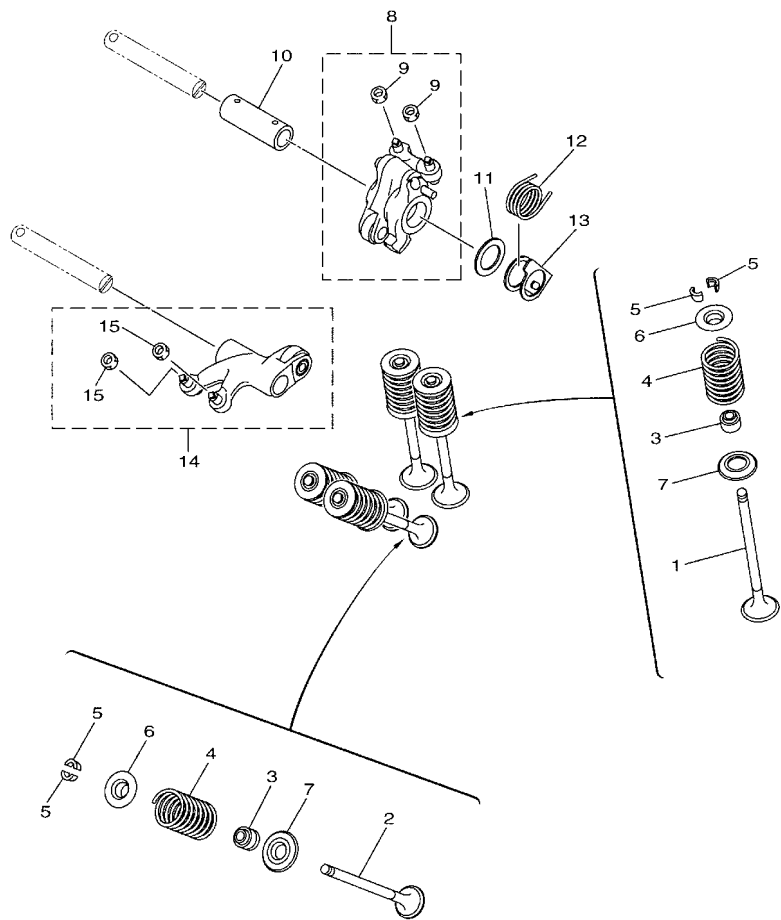


BK61460-S020

REF. NO.	PART NO.	DESCRIPTION	BHM1				REMARKS
28	90170-10012	NUT	1				



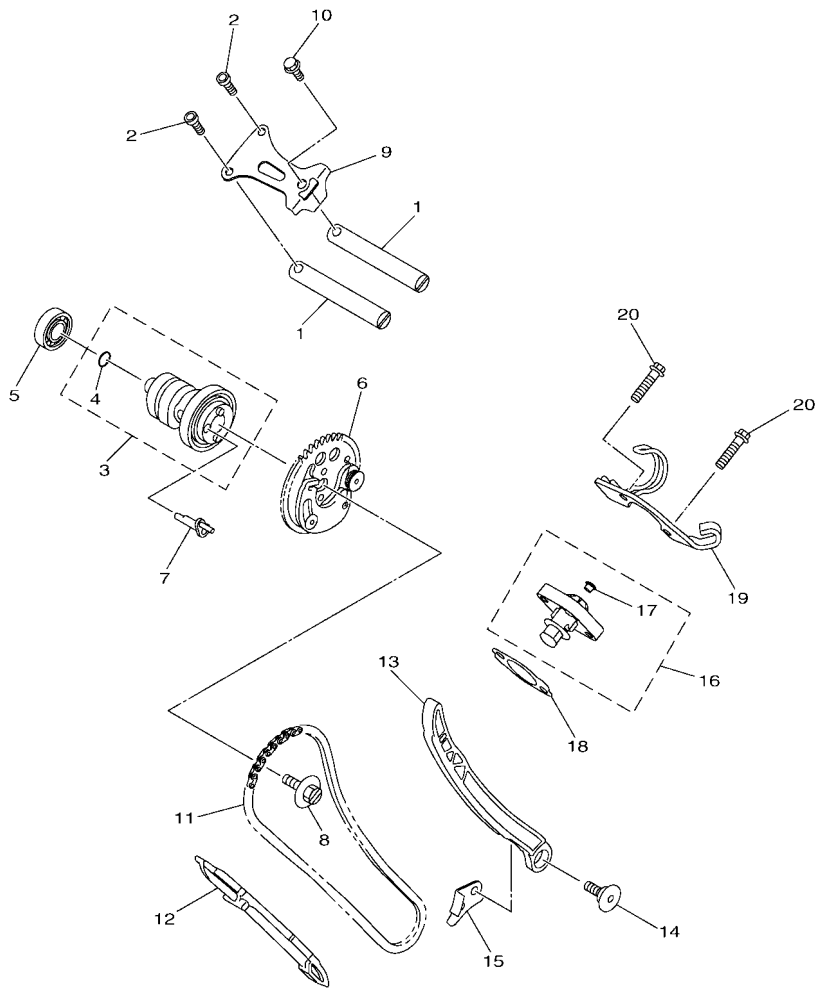
**FIG. 3 VALVE**



REF. NO.	PART NO.	DESCRIPTION	BHM1				REMARKS
1	BK6-E2111-00	VALVE, INTAKE	2				
2	BK6-E2121-00	VALVE, EXHAUST	2				
3	54P-E2119-00	SEAL, VALVE STEM	4				
4	B63-E2113-00	SPRING, VALVE INNER	4				
5	5TL-E2118-00	LOCK, VALVE SPRING RETAINER	8				
6	2DP-E2117-00	RETAINER, VALVE SPRING	4				
7	50C-E2126-00	SEAT, VALVE SPRING 2	4				
8	BK6-E2150-00	VALVE ROCKER ARM ASSY	1				
9	90170-05803	.NUT	2				
10	BK6-E2166-00	SHAFT, ROCKER 3	1				
11	BK6-E1557-00	WASHER 1	1				
12	BK6-E2226-00	SPRING, COIL	1				
13	BK7-E2279-00	PLATE	1				
14	BK6-E2160-00	VALVE ROCKER ARM ASSY 2	1				
15	90170-05803	.NUT	2				



B7D1431-U030



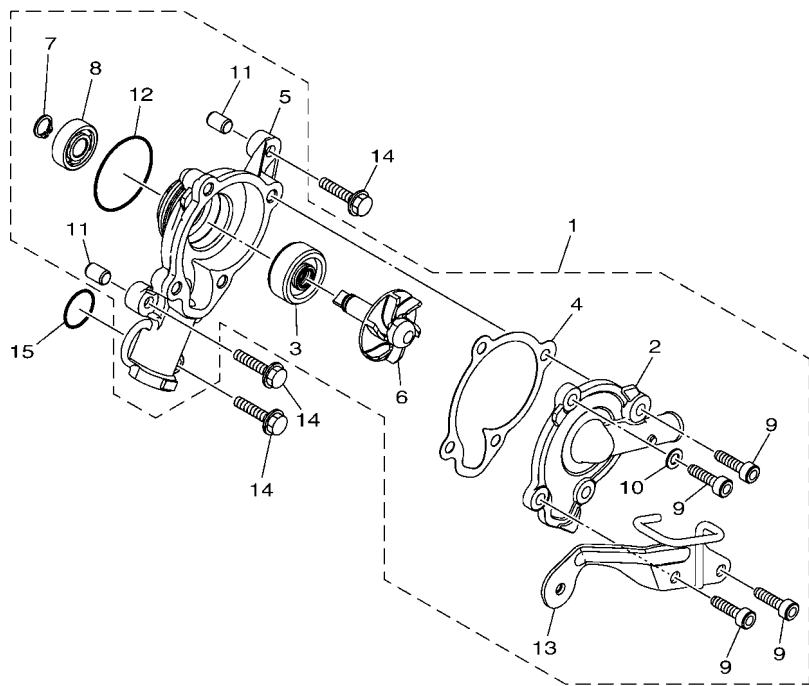
**FIG. 4 CAMSHAFT & CHAIN**

REF. NO.	PART NO.	DESCRIPTION	BHM1				REMARKS
1	21C-E2156-00	SHAFT, ROCKER 2	2				
2	91312-05016	BOLT, HEXAGON SOCKET HEAD	2				
3	BK6-E2170-01	CAMSHAFT ASSY 1	1				
4	93210-09806	.O-RING	1				
5	93306-001YJ	BEARING	1				
6	BK6-E2280-01	DECOMPRESSION ASSY	1				
7	BK6-E2288-00	CAM, DECOMPRESSION	1				
8	5YP-E2157-01	BOLT	1				
9	B63-E111F-00	PLATE	1				
10	95E32-06014	BOLT, FLANGE DEEP RECESS	1				
11	94568-J9096	CHAIN	1				
12	B65-E2231-00	GUIDE, STOPPER 1	1				
13	BK6-E2241-00	GUIDE, STOPPER 2	1				
14	54P-E2228-00	BOLT	1				
15	BK6-E2256-00	COVER, CHAIN	1				
16	2PV-E2210-01	TENSIONER ASSY, CAM CHAIN	1				
17	5MX-E2222-00	.PLUG	1				
18	BK6-E2213-00	GASKET, TENSIONER CASE	1				
19	BK6-E5441-00	HOLDER, CLUTCH CABLE	1				
20	95E32-06025	BOLT, FLANGE DEEP RECESS	2				



B7D1431-U040

**FIG. 5 WATER PUMP**

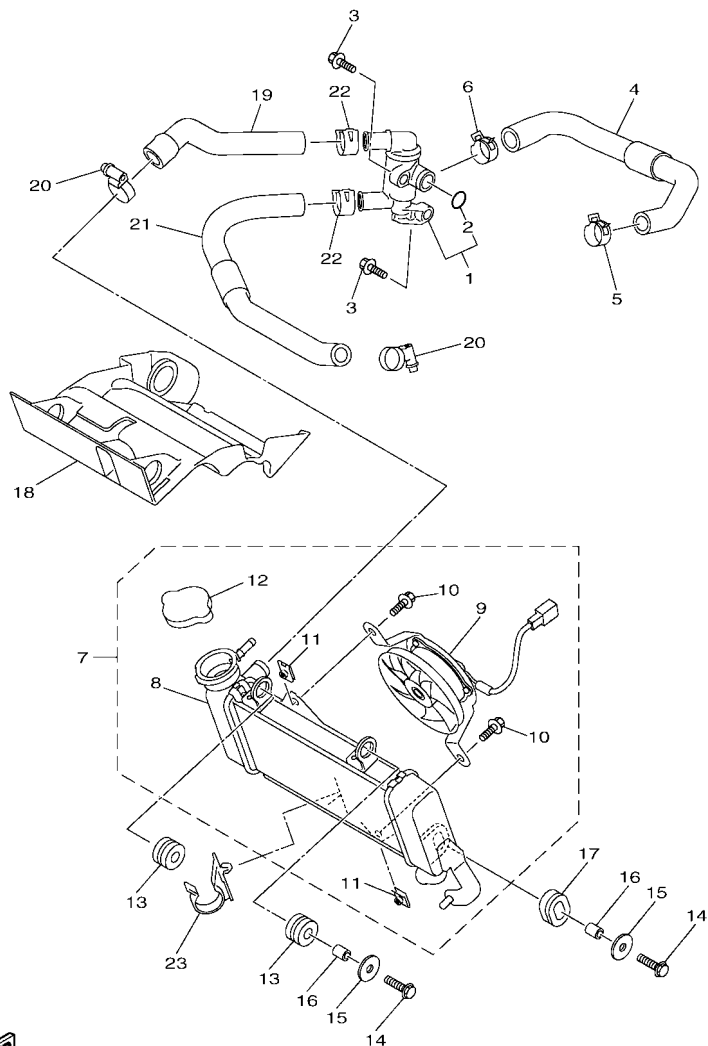


REF. NO.	PART NO.	DESCRIPTION	BHM1				REMARKS
1	BK6-E2420-00	WATER PUMP ASSY	1				
2	BK7-E2422-00	.COVER, HOUSING	1				
3	93103-10801	.OIL SEAL	1				
4	2DP-E2428-00	.GASKET, HOUSING COVER 2	1				
5	BK7-E1185-00	.COVER, CYLINDER HEAD SIDE 3	1				
6	BK7-E2450-00	.IMPELLER SHAFT ASSY	1				
7	BK7-E2842-00	.CIRCLIP	1				
8	93306-000Y3	.BEARING	1				
9	BK7-E2615-00	.BOLT	4				
10	BK7-E2435-00	.GASKET	1				
11	BK7-E3516-00	.PIN, DOWEL	2				
12	93210-39803	.O-RING	1				
13	BK7-E2443-00	.STAY	1				
14	95022-06025	BOLT, FLANGE	3				
15	93210-19809	O-RING	1				



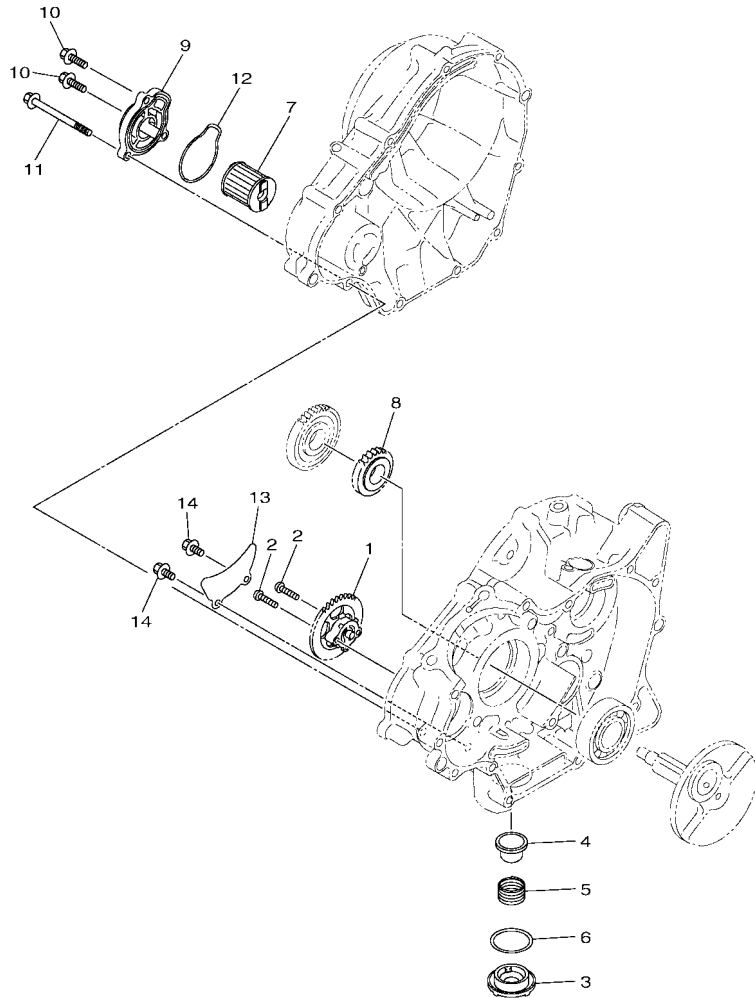
B0C4422-U050

**FIG. 6 RADIATOR & HOSE**



BFL1200-V060

REF. NO.	PART NO.	DESCRIPTION	BHM1				REMARKS
1	BK6-E2410-00	THERMOSTAT ASSY	1				
2	52S-12439-00	.O-RING	1				
3	95022-06020	BOLT, FLANGE	2				
4	BK6-E2483-00	PIPE 3	1				
5	90467-19803	CLIP	1				
6	90467-20806	CLIP	1				
7	BK6-E2460-00	RADIATOR ASSY	1				
8	BK6-E2461-00	.RADIATOR COMP	1				
9	BK6-E2405-00	.BLOWER ASSY	1				
10	5YP-E2675-00	.BOLT, BLOWER HOLDING	2				
11	5YP-E2671-00	.NUT 1	2				
12	5P0-E2590-00	.CONDUCTION ASSY	1				
13	90480-15363	GROMMET	2				
14	95D32-06025	BOLT, FLANGE DEEP RECESS	2				
15	90201-06880	WASHER, PLATE	2				
16	90387-064W3	COLLAR	2				
17	90480-01803	GROMMET	1				
18	BK7-E2467-00	COVER, RADIATOR	1				
19	BK6-E2481-00	PIPE 1	1				
20	90450-27806	HOSE CLAMP ASSY	2				
21	BK6-E2482-00	PIPE 2	1				
22	90467-20805	CLIP	2				
23	3C1-F1338-00	CLAMP	1				



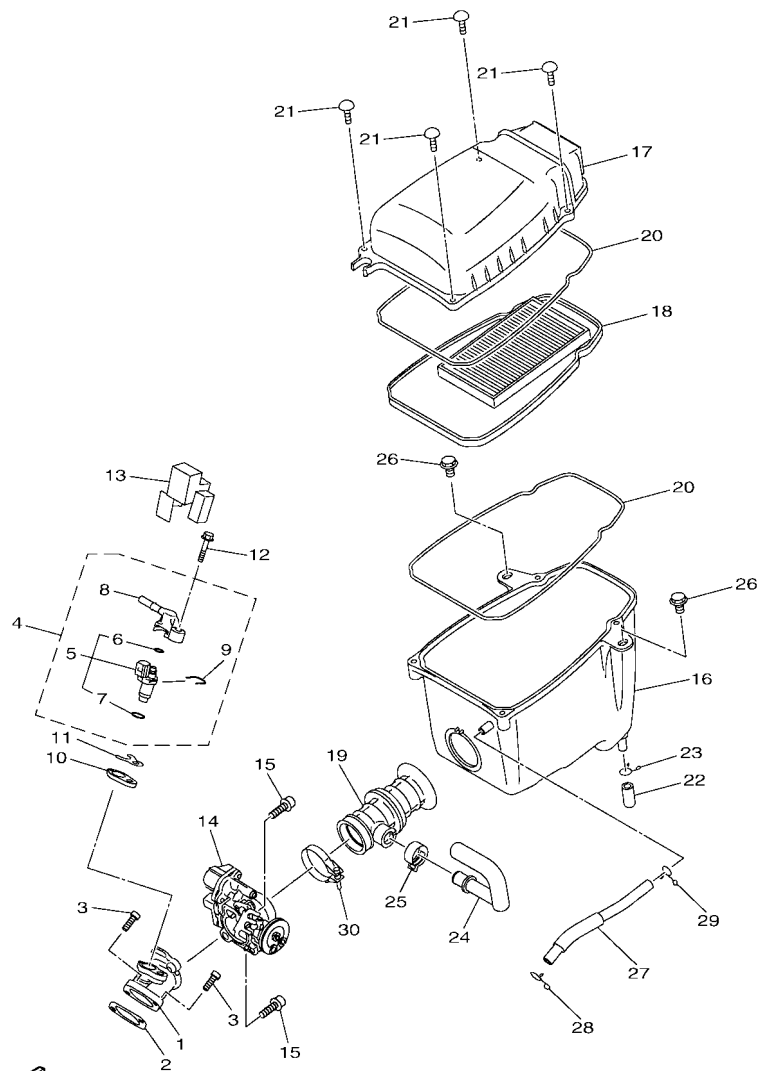
**FIG. 7 OIL PUMP**

REF. NO.	PART NO.	DESCRIPTION	BHM1				REMARKS
1	BK6-E3300-00	OIL PUMP ASSY	1				
2	90111-05808	BOLT,HEX. SOCKET BUTTON	2				
3	1S7-E5351-00	PLUG, DRAIN	1				
4	38B-E3411-00	STRAINER, OIL	1				
5	90501-18576	SPRING, COMPRESSION	1				
6	93210-34802	O-RING	1				
7	38B-E3440-00	ELEMENT ASSY, OIL CLEANER	1				
8	2PV-E3324-00	GEAR, PUMP DRIVE	1				
9	2PK-E3447-00	COVER, OIL ELEMENT	1				
10	95E32-06020	BOLT, FLANGE DEEP RECESS	2				
11	95E32-06080	BOLT, FLANGE DEEP RECESS	1				
12	93210-54805	O-RING	1				
13	3C1-E3327-00	COVER, PUMP GEAR	1				
14	95E32-06012	BOLT, FLANGE DEEP RECESS	2				



B7D1431-U070

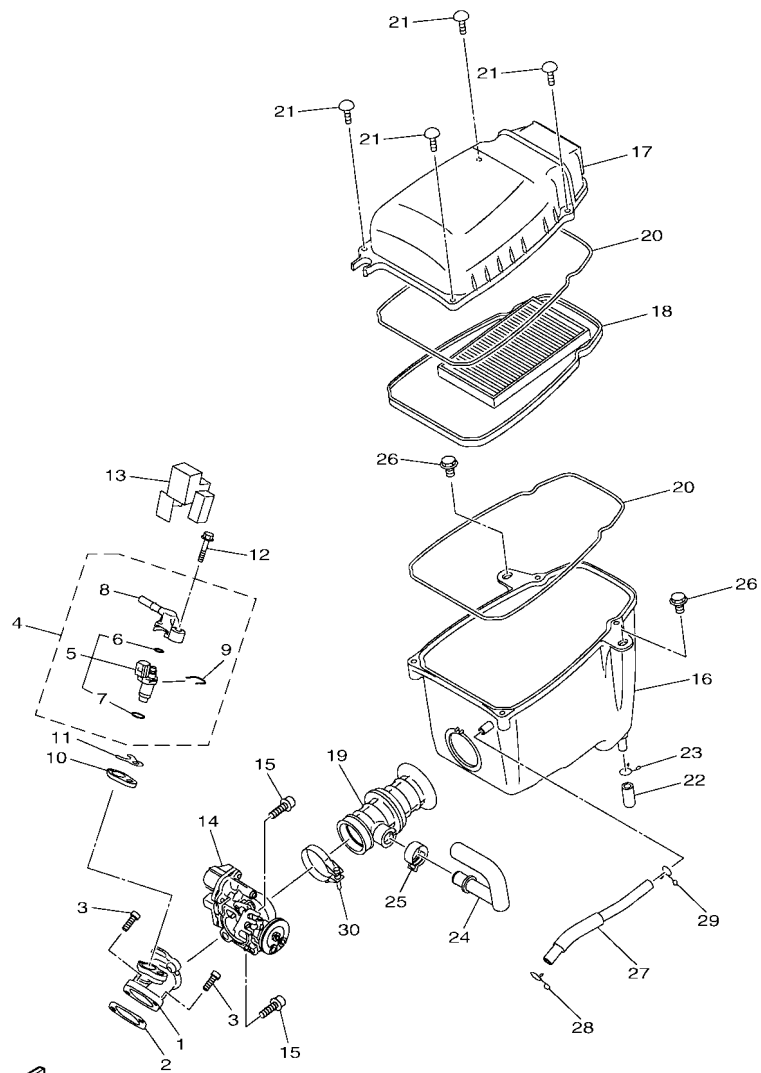
**FIG. 8 INTAKE**



B7D1431-U080

REF. NO.	PART NO.	DESCRIPTION	BHM1				REMARKS
1	BK6-E3585-00	MANIFOLD	1				
2	BK6-E4199-00	GASKET	1				
3	91312-06020	BOLT, HEXAGON SOCKET HEAD	2				
4	BK6-E3770-00	INJECTOR ASSY	1				
5	BK6-E3761-00	.INJECTOR	1				
6	54P-E4147-00	.O-RING	1				
7	5CA-E4147-00	.O-RING	1				
8	54P-E3938-00	.PIPE	1				
9	54P-E4137-00	.CLIP	1				
10	2FB-E3556-00	GASKET, MANIFOLD	1				
11	BK6-E3557-00	GASKET	1				
12	95812-06030	BOLT, FLANGE	1				
13	BK6-E3767-00	CAP, INJECTOR	1				
14	BK6-E3750-00	THROTTLE BODY ASSY	1				
15	90110-06846	BOLT, HEXAGON SOCKET HEAD	2				
16	BK6-E4411-01	CASE, AIR CLEANER 1	1				
17	BK6-E4412-00	CAP, CLEANER CASE 1	1				
18	BK6-E4450-00	ELEMENT ASSY, AIR CLEANER	1				
19	BK6-E4453-00	JOINT, AIR CLEANER 1	1				
20	BK6-E4452-00	SEAL	2				
21	97707-50025	SCREW, TAPPING	4				
22	5TL-E443E-00	PIPE, DRAIN	1				
23	90467-12800	CLIP	1				
24	BK6-E441J-00	PIPE, SILENCER	1				
25	90467-20804	CLIP	1				
26	90119-06114	BOLT, WITH WASHER	2				
27	BK7-E1166-00	PIPE, BREATHER 1	1				

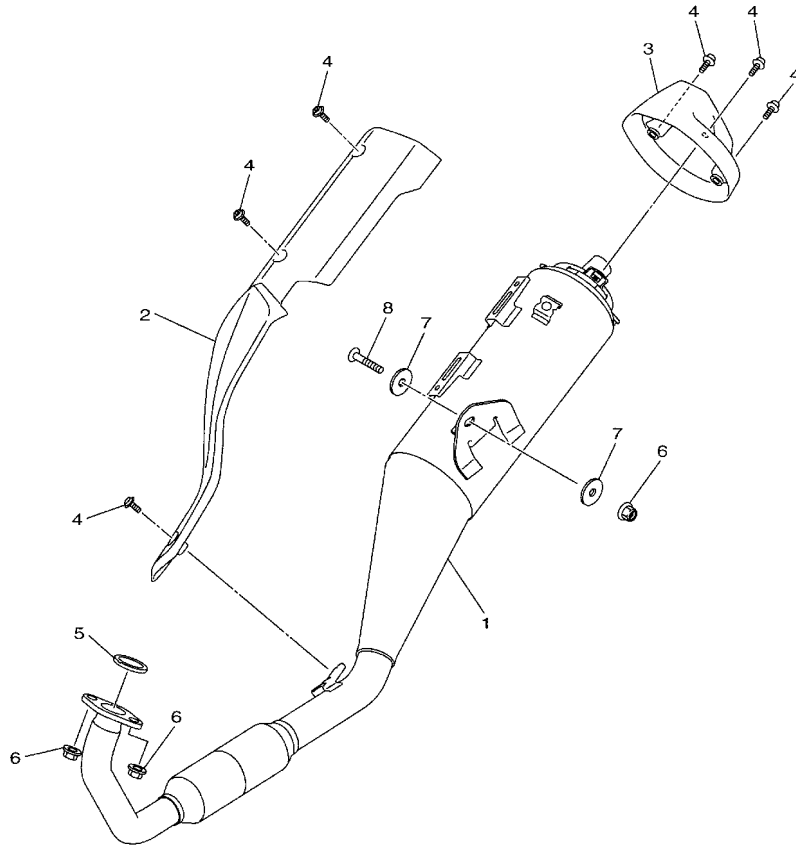
**FIG. 8 INTAKE**



B7D1431-U080

REF. NO.	PART NO.	DESCRIPTION	BHM1				REMARKS
28	90467-12052	CLIP	1				
29	90467-11825	CLIP	1				
30	90450-43805	HOSE CLAMP ASSY	1				
-----							
-----							
-----							
-----							
-----							
-----							
-----							
-----							
-----							
-----							

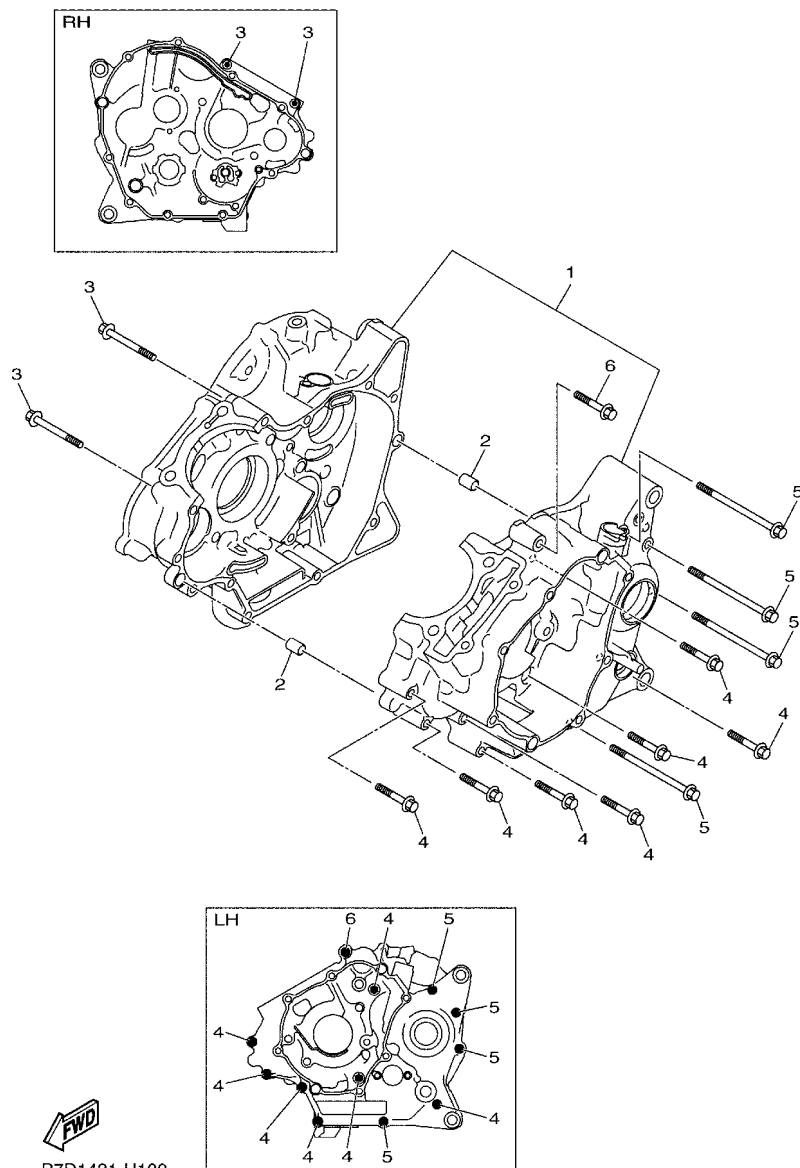
**FIG. 9 EXHAUST**



REF. NO.	PART NO.	DESCRIPTION	BHM1				REMARKS
1	B9B-E4703-10	MUFFLER COMP. 1	1				
2	BK6-E4718-00	PROTECTOR, MUFFLER 1	1				
3	BK6-E4799-00	CAP	1				
4	90111-06807	BOLT,HEX. SOCKET BUTTON	6				
5	BK7-E4613-00	GASKET, EXHAUST PIPE	1				
6	95702-08500	NUT, FLANGE	3				
7	90201-08612	WASHER, PLATE	2				
8	90149-08220	SCREW	1				

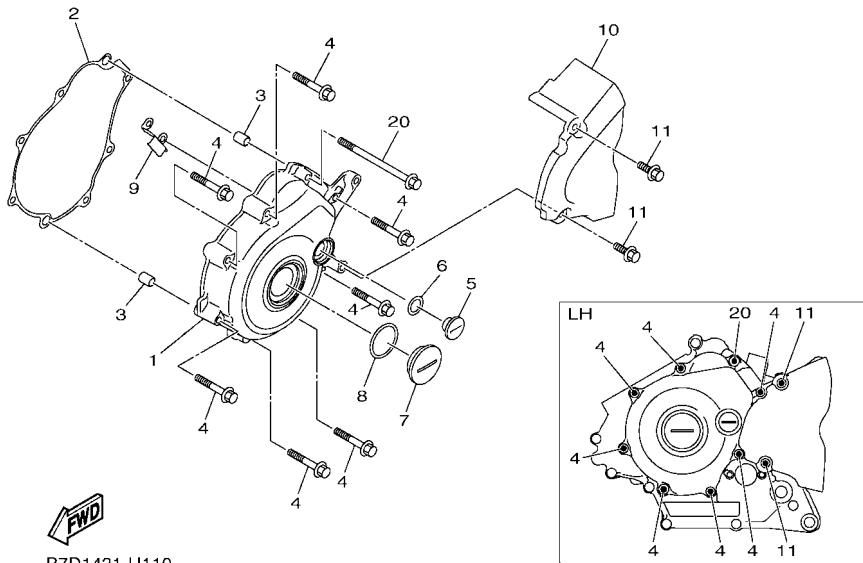
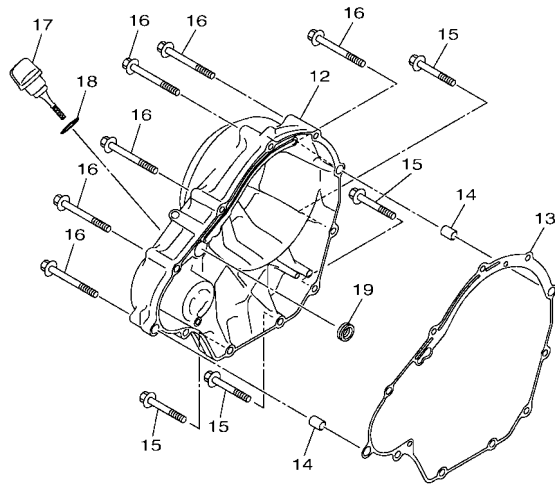
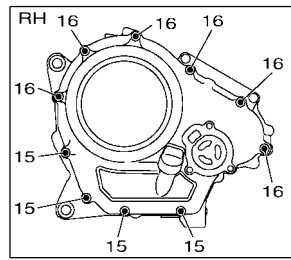


**FIG. 10 CRANKCASE**



B7D1431-U100

REF. NO.	PART NO.	DESCRIPTION	BHM1				REMARKS
1	BK6-E5150-00	CRANKCASE ASSY	1				
2	91810-14809	PIN, DOWEL	2				
3	95022-06055	BOLT, FLANGE	2				
4	95022-06045	BOLT, FLANGE	7				
5	95022-06070	BOLT, FLANGE	4				
6	95022-06040	BOLT, FLANGE	1				

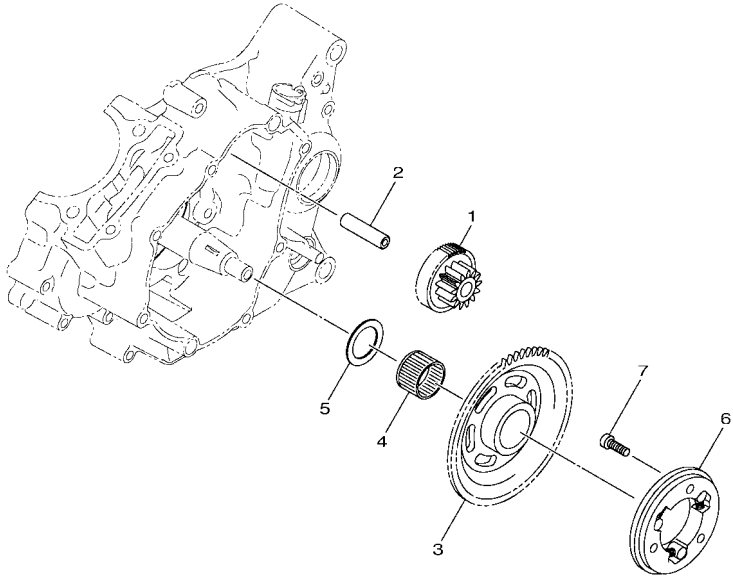


B7D1431-U110

FIG. 11 CRANKCASE COVER 1

REF. NO.	PART NO.	DESCRIPTION	BHM1				REMARKS
1	BK6-E5411-00	COVER, CRANKCASE 1	1				
2	BK6-E5451-00	GASKET, CRANKCASE COVER 1	1				
3	91810-14809	PIN, DOWEL	2				
4	95022-06040	BOLT, FLANGE	7				
5	90340-14824	PLUG, STRAIGHT SCREW	1				
6	93210-148F8	O-RING	1				
7	90340-32823	PLUG, STRAIGHT SCREW	1				
8	93210-32816	O-RING	1				
9	2PV-E5113-00	PLATE	1				
10	BK6-E5418-00	COVER, CHAIN CASE	1				
11	95022-06016	BOLT, FLANGE	2				
12	BK6-E5421-00	COVER, CRANKCASE 2	1				
13	BK6-E5461-00	GASKET, CRANKCASE COVER 2	1				
14	91810-14809	PIN, DOWEL	2				
15	95022-06040	BOLT, FLANGE	4				
16	95022-06050	BOLT, FLANGE	6				
17	BK7-E5362-00	PLUG, OIL LEVEL	1				
18	93210-198F9	O-RING	1				
19	93101-10843	OIL SEAL	1				
20	95022-06090	BOLT, FLANGE	1				

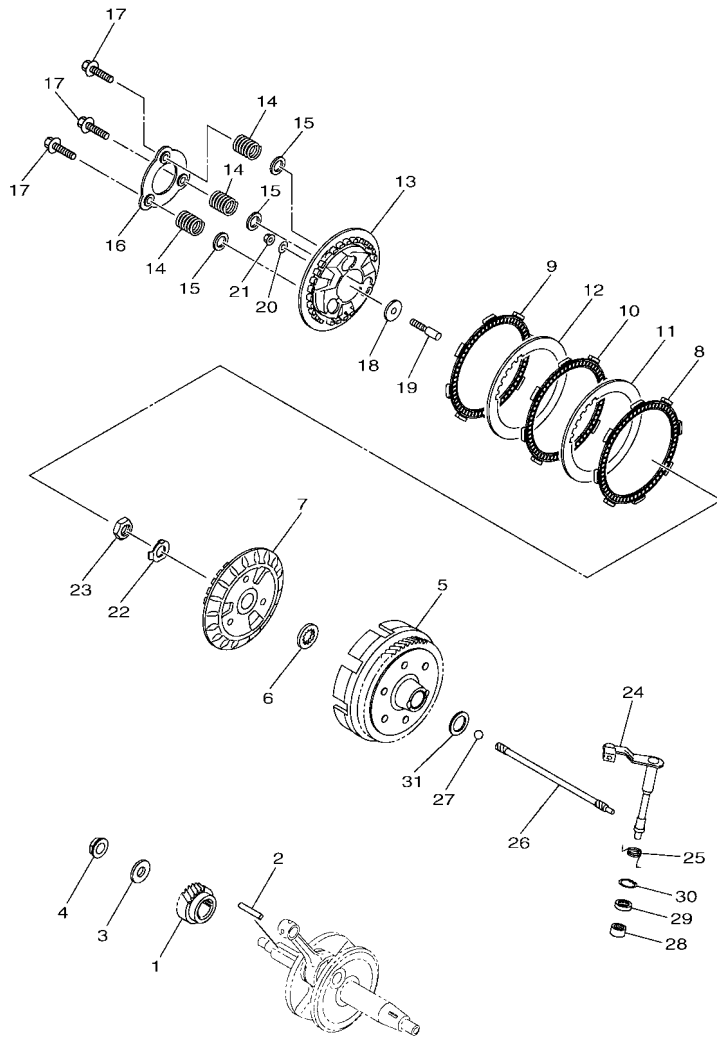
**FIG. 12 STARTER CLUTCH**



REF. NO.	PART NO.	DESCRIPTION	BHM1					REMARKS
1	B48-E5514-00	GEAR 2	1					
2	BK7-E5521-00	SHAFT 1	1					
3	2PV-E5524-10	WHEEL, STARTER	1					
4	93310-325YC	BEARING	1					
5	90201-25290	WASHER, PLATE	1					
6	2TP-E5580-00	STARTER CLUTCH OUTER ASSY	1					
7	90110-06873	BOLT, HEXAGON SOCKET HEAD	3					



B7D1431-U120

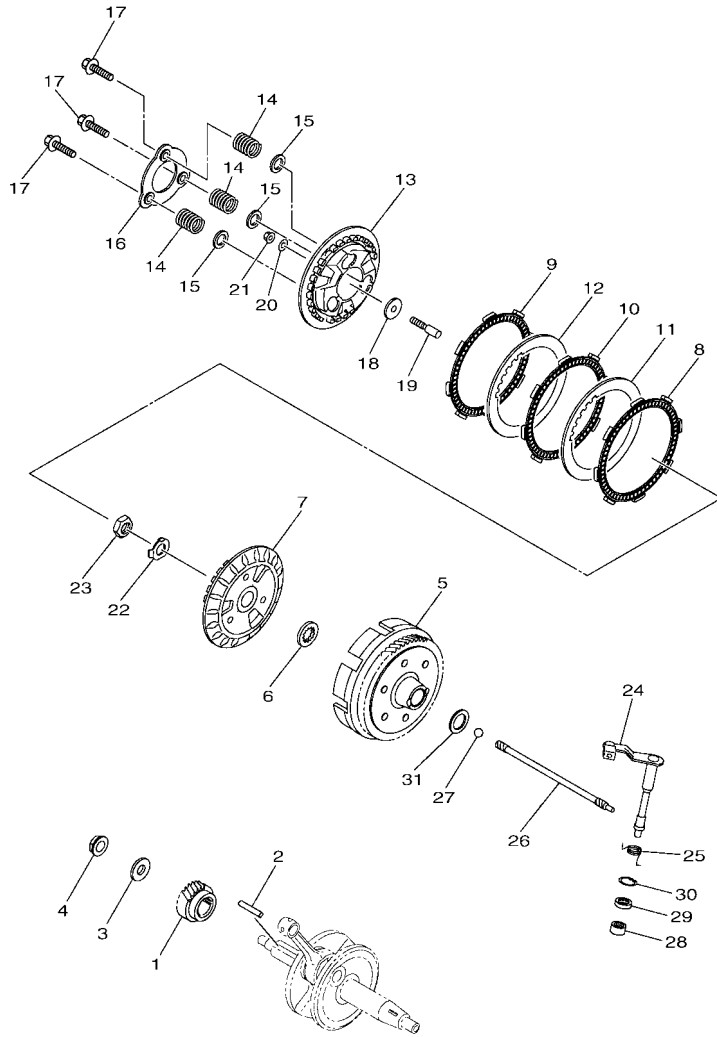


**FIG. 13 CLUTCH**

REF. NO.	PART NO.	DESCRIPTION	BHM1				REMARKS
1	3C1-E6111-00	GEAR, PRIMARY DRIVE	1				
2	38B-E6193-00	KEY, FEATHER	1				
3	90201-12019	WASHER, PLATE	1				
4	90179-12808	NUT	1				
5	BK6-E6150-00	PRIMARY DRIVEN GEAR COMP.	1				
6	2ND-E6154-00	PLATE, THRUST 1	1				
7	BK6-E6371-00	BOSS, CLUTCH	1				
8	2ND-E6321-00	PLATE, FRICTION	1				
9	BK6-E6331-00	PLATE, FRICTION 2	1				
10	BK6-E6321-00	PLATE, FRICTION	1				
11	BK6-E6325-00	PLATE, CLUTCH 2	1				
12	BK6-E6324-00	PLATE, CLUTCH 1	1				
13	BK6-E6351-00	PLATE, PRESSURE 1	1				
14	BK6-E6333-00	SPRING, CLUTCH 1	3				
15	BK6-E6774-00	WASHER	3				
16	BK6-E6352-00	PLATE, PRESSURE 2	1				
17	BK6-E6337-00	SCREW, SPRING	3				
18	3C1-E6358-00	PLATE, PUSH	1				
19	3C1-E6356-10	ROD, PUSH 1	1				
20	54B-E6144-00	WASHER	1				
21	3C1-E6344-00	NUT, ADJUSTING	1				
22	90215-14802	WASHER, LOCK	1				
23	90170-14801	NUT	1				
24	BK7-E6380-00	PUSH LEVER ASSY	1				
25	BK6-E6345-00	SPRING, RETURN	1				
26	1PA-E6357-00	ROD, PUSH 2	1				
27	93505-16844	BALL	1				



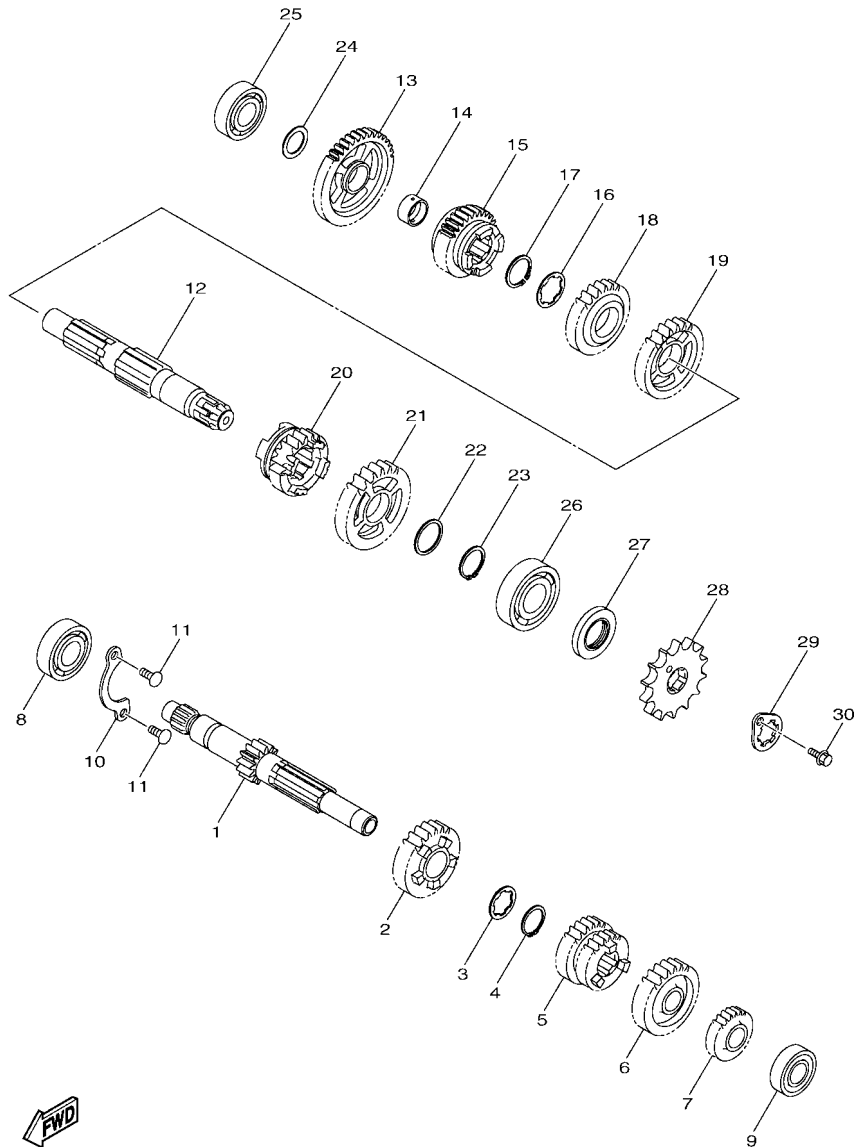
B7D1431-U130



**FIG. 13 CLUTCH**

REF. NO.	PART NO.	DESCRIPTION	BHM1			REMARKS
28	93315-112Y8	BEARING	1			
29	93102-12862	OIL SEAL	1			
30	99009-20500	CIRCLIP	1			
31	90208-20003	WASHER, CONICAL SPRING	1			

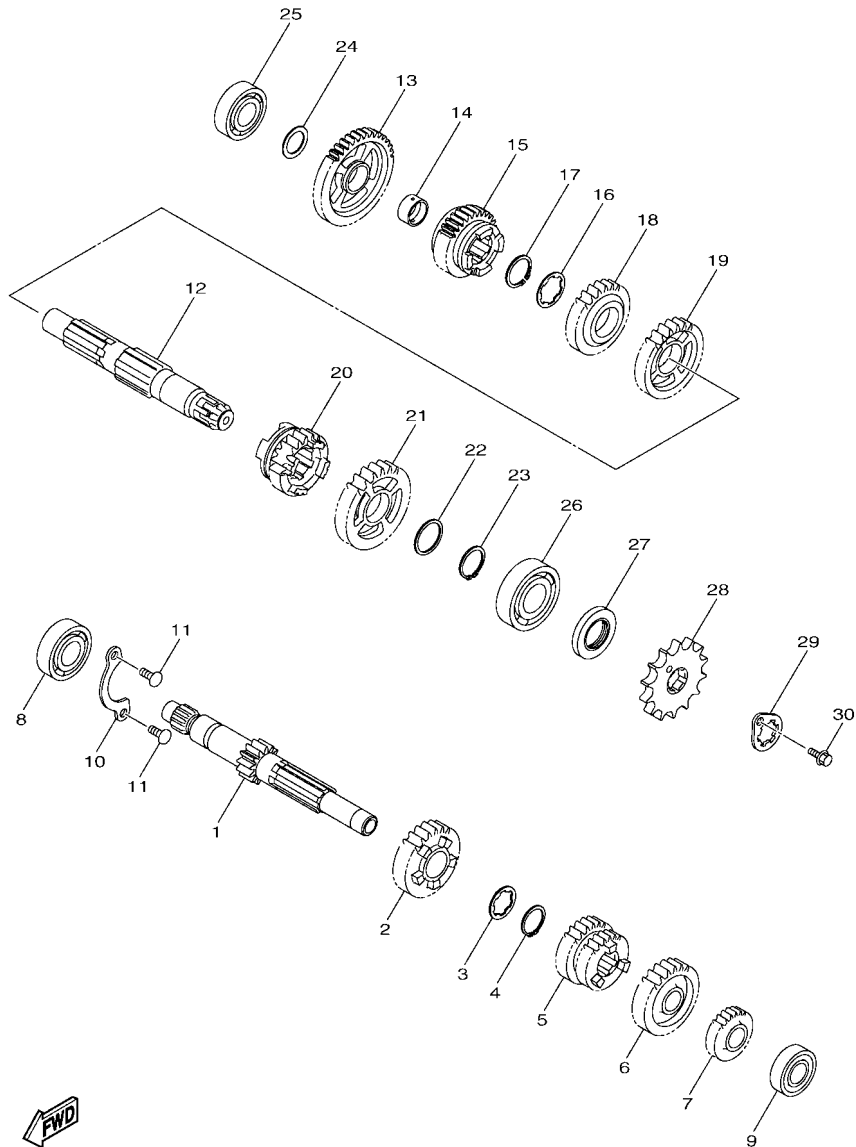




B7D1431-U140

**FIG. 14 TRANSMISSION**

REF. NO.	PART NO.	DESCRIPTION	BHM1				REMARKS
1	BK6-E7411-00	AXLE, MAIN	1				
2	BK6-E7151-00	GEAR, 5TH PINION (23T)	1				
3	90209-17285	WASHER	1				
4	93410-20038	CIRCLIP	1				
5	5D7-E7131-00	GEAR, 3RD PINION (22T/21T)	1				
6	BK6-E7161-00	GEAR, 6TH PINION (25T)	1				
7	3C1-E7121-00	GEAR, 2ND PINION (16T)	1				
8	93306-054XF	BEARING	1				
9	93306-252YN	BEARING	1				
10	3C1-E7471-00	PLATE, COVER	1				
11	98512-06012	SCREW, PAN HEAD	2				
12	BK6-E7421-00	AXLE, DRIVE	1				
13	3C1-E7211-00	GEAR, 1ST WHEEL (34T)	1				
14	90387-17804	COLLAR	1				
15	BK6-E7251-00	GEAR, 5TH WHEEL (22T)	1				
16	90209-18208	WASHER	1				
17	93410-22039	CIRCLIP	1				
18	BK6-E7241-00	GEAR, 4TH WHEEL (24T)	1				
19	BK6-E7231-00	GEAR, 3RD WHEEL (30T)	1				
20	5D7-E7261-00	GEAR, 6TH WHEEL (21T)	1				
21	BK6-E7221-00	GEAR, 2ND WHEEL (30T)	1				
22	90201-22793	WASHER, PLATE	1				
23	93410-22039	CIRCLIP	1				
24	90201-173F4	WASHER, PLATE	1				
25	93306-253X2	BEARING	1				
26	93306-272YC	BEARING	1				
27	93102-22827	OIL SEAL	1				

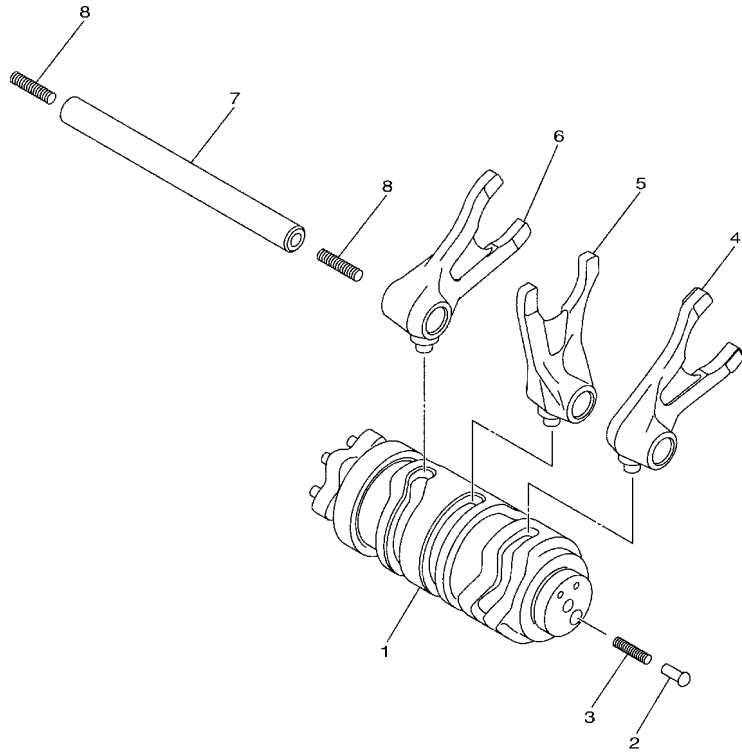


B7D1431-U140

FIG. 14 TRANSMISSION

REF. NO.	PART NO.	DESCRIPTION	BHM1					REMARKS
28	93822-14800	SPROCKET, DRIVE (14T)	1					
29	1S7-E7456-00	HOLDER, SPROCKET	1					
30	95022-06010	BOLT, FLANGE	1					
<hr/>								
<hr/>								
<hr/>								
<hr/>								
<hr/>								
<hr/>								
<hr/>								
<hr/>								
<hr/>								
<hr/>								

**FIG. 15 SHIFT CAM & FORK**



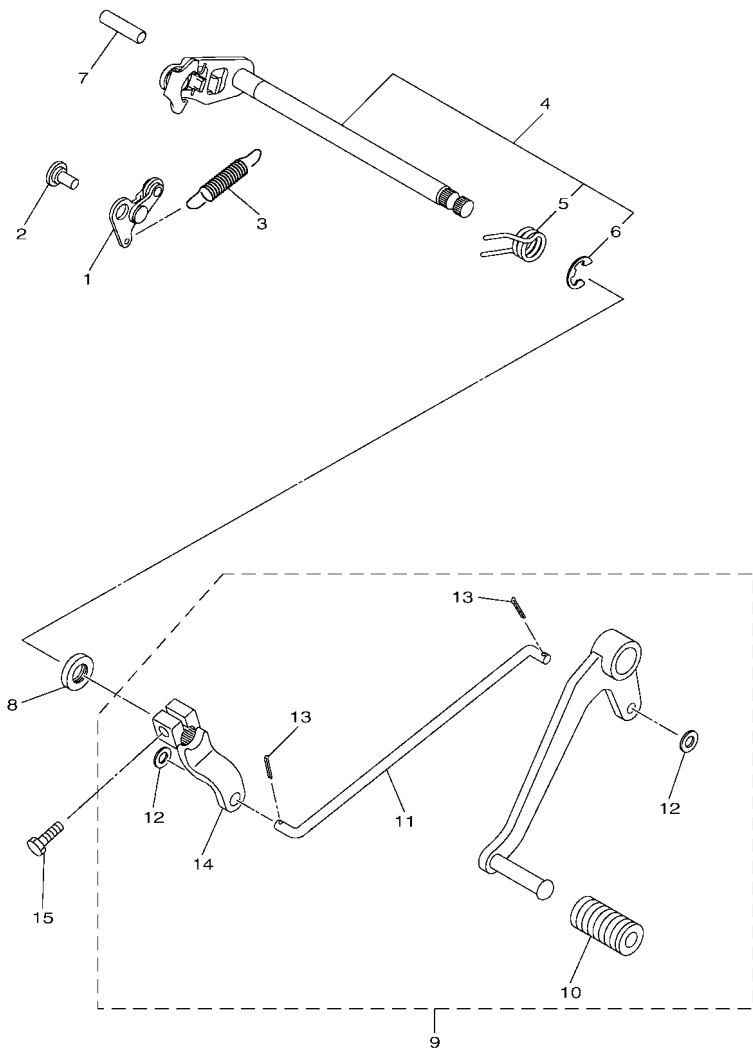
REF. NO.	PART NO.	DESCRIPTION	BHM1				REMARKS
1	BK6-E8540-00	SHIFT CAM ASSY	1				
2	5TP-E8542-00	POINT, NEUTRAL	1				
3	90501-06022	SPRING, COMPRESSION	1				
4	2ND-E8511-00	FORK, SHIFT 1	1				
5	2ND-E8512-00	FORK, SHIFT 2	1				
6	2ND-E8513-00	FORK, SHIFT 3	1				
7	1PA-E8531-00	BAR, SHIFT FORK GUIDE 1	1				
8	90501-06800	SPRING, COMPRESSION	2				



B7D1431-U150



**FIG. 16 SHIFT SHAFT**

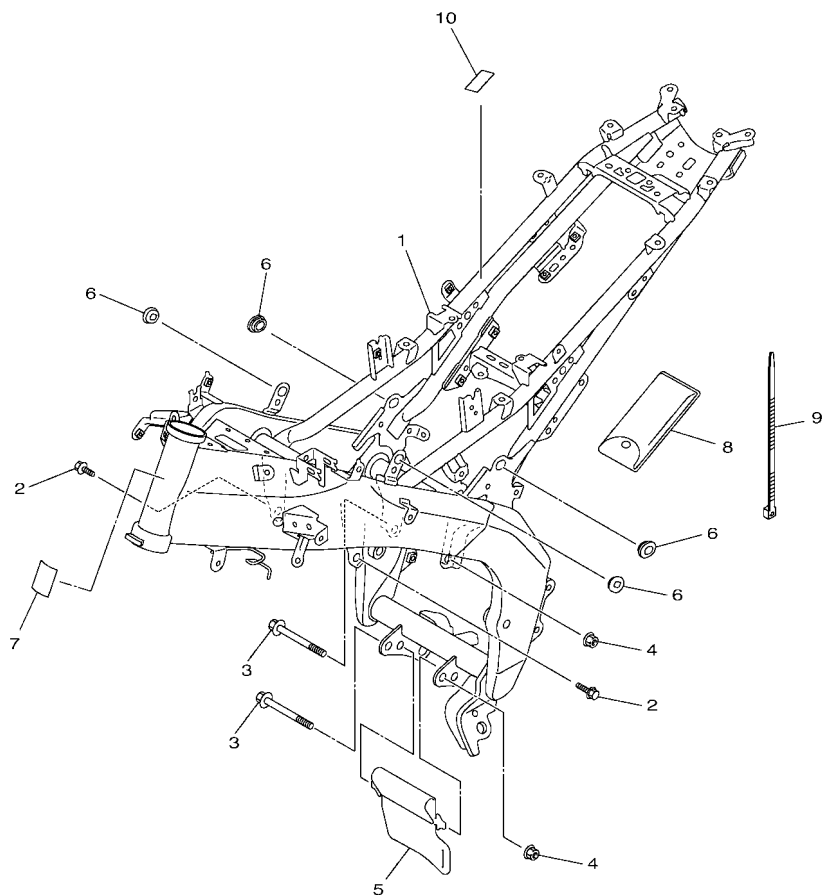


B7D1431-U160

REF. NO.	PART NO.	DESCRIPTION	BHM1				REMARKS
1	BK7-E8140-00	STOPPER LEVER ASSY	1				
2	90109-06279	BOLT	1				
3	BK6-E8337-00	SPRING	1				
4	38B-E8101-00	SHIFT SHAFT ASSY	1				
5	90508-32837	.SPRING, TORSION	1				
6	99001-10600	.CIRCLIP	1				
7	93608-30839	PIN, DOWEL	1				
8	93102-12891	OIL SEAL	1				
9	B9D-E8110-00	SHIFT PEDAL ASSY	1				
10	20P-E8113-00	.COVER, SHIFT PEDAL	1				
11	B9D-E8115-00	.ROD, SHIFT	1				
12	92902-06200	.WASHER	2				
13	90252-18800	.PIN, COTTER	2				
14	BK7-E8112-00	.ARM, SHIFT	1				
15	97012-06020	BOLT	1				

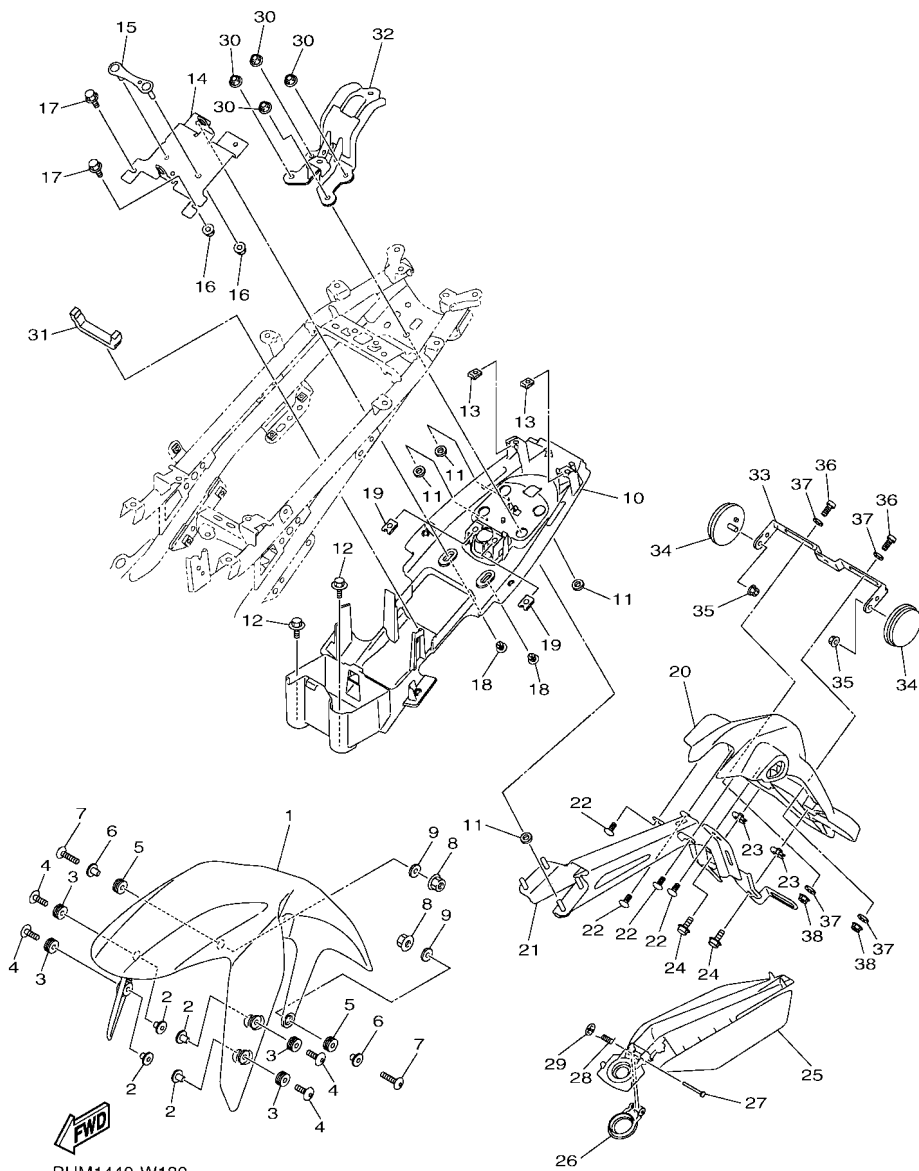
**FIG. 17 FRAME**

REF. NO.	PART NO.	DESCRIPTION	BHM1				REMARKS
1	B8D-F1110-02	FRAME COMP.	1				
2	90105-10225	BOLT, FLANGE	2				
3	90105-10886	BOLT, FLANGE	2				
4	90179-10805	NUT	2				
5	BK6-F2327-00	MUD GUARD 1	1				
6	90480-01558	GROMMET	4				
7	B8D-F111D-00	SEAL 1	1				
8	B8D-F8100-00	TOOL KIT	1				
9	90465-13M24	CLAMP	1				
10	55C-F815P-00	LABEL, NOTICE 1	1				



BHM1440-W170

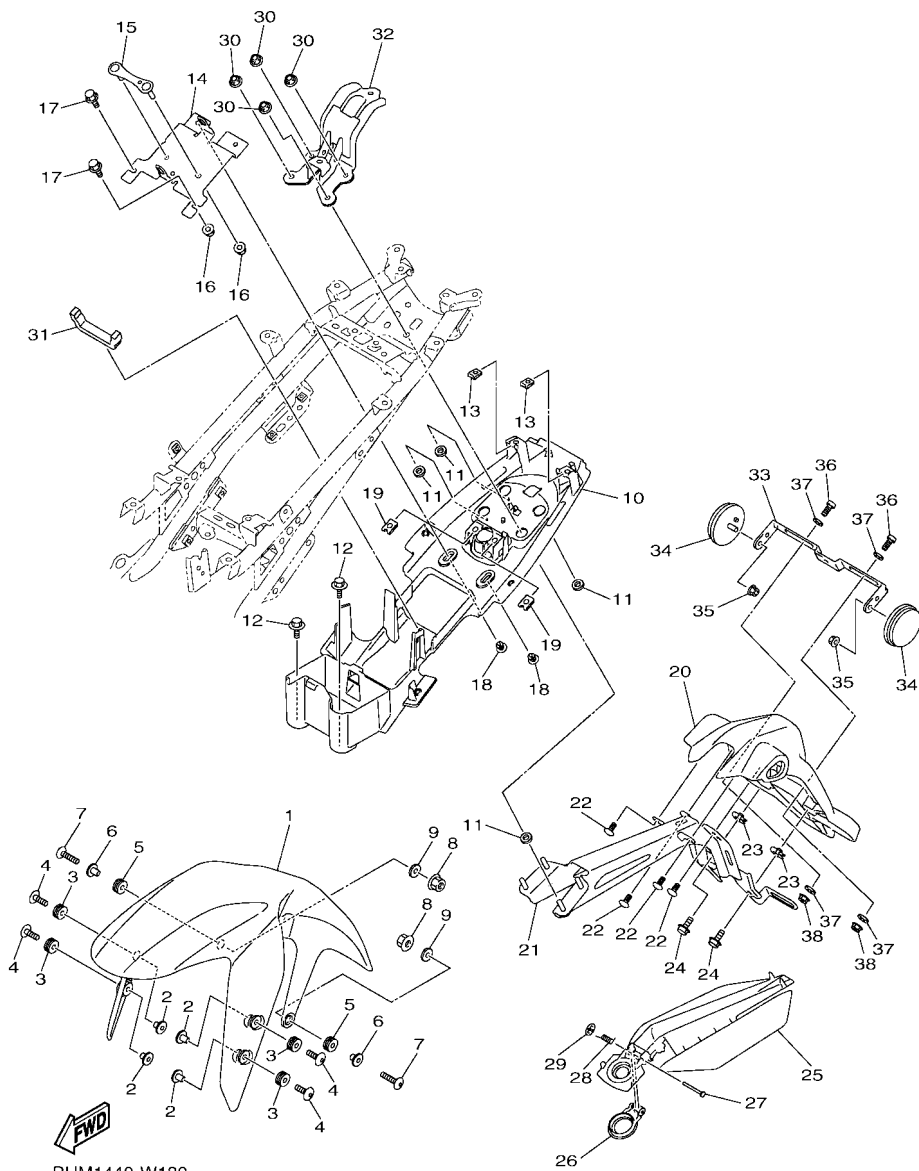
**FIG. 18 FENDER**



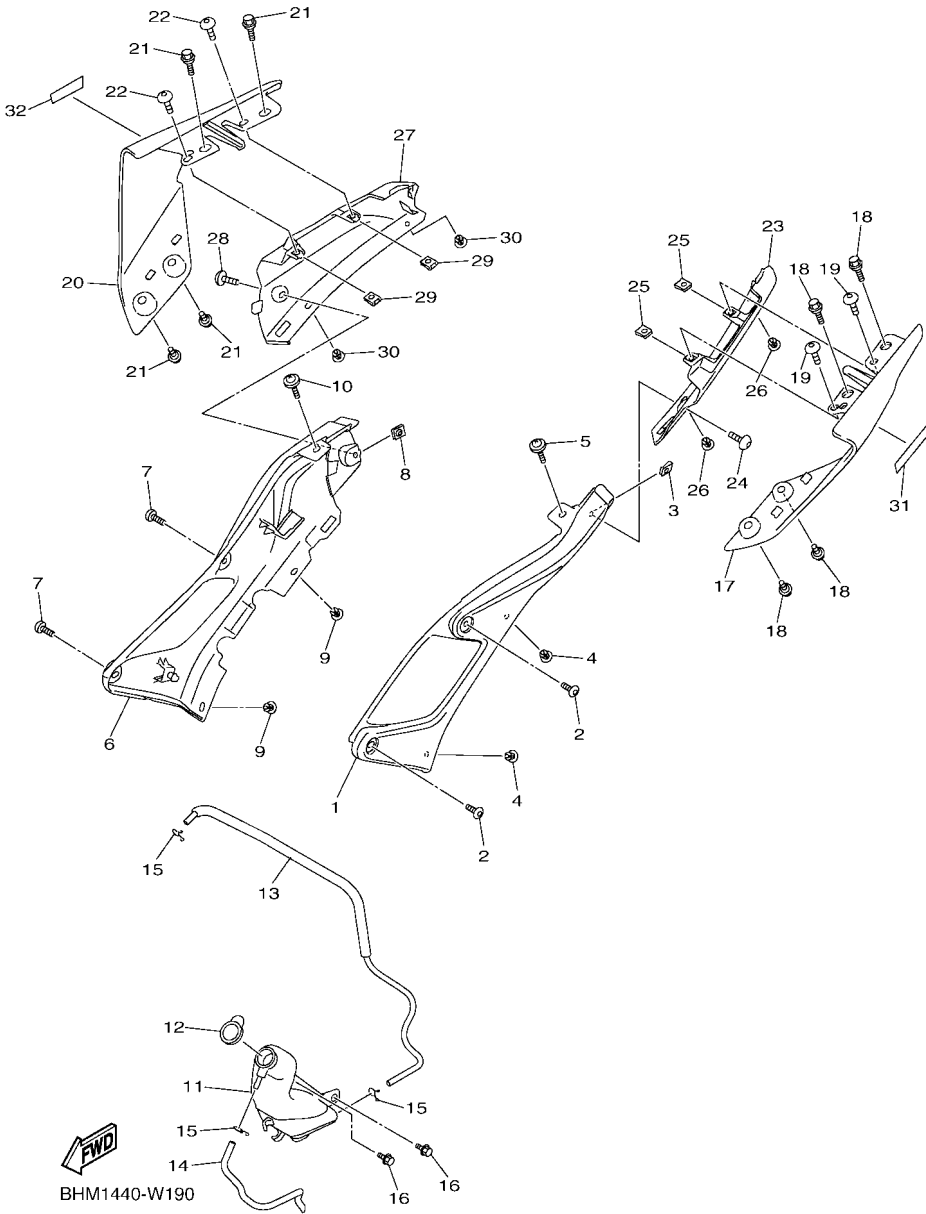
BHM1440-W180

REF. NO.	PART NO.	DESCRIPTION	BHM1	REMARKS
1	BG7-F1511-00-33	FENDER, FRONT	1	UR FOR DPBMC
	BG7-F1511-00-P1	FENDER, FRONT	1	UR FOR MLNM4
2	90387-06205	COLLAR	4	
3	90480-12805	GROMMET	4	
4	90111-06137	BOLT,HEX. SOCKET BUTTON	4	
5	90480-12072	GROMMET	2	
6	90387-068P5	COLLAR	2	
7	90111-06847	BOLT,HEX. SOCKET BUTTON	2	
8	95702-06500	NUT, FLANGE	2	
9	90201-06029	WASHER, PLATE	2	
10	B7D-F1611-00	FENDER, REAR	1	
11	90560-08326	SPACER	4	
12	90109-06220	BOLT	2	
13	90183-05807	NUT, SPRING	2	
14	B7D-H1975-00	PLATE, RECTIFIER FITTING	1	
15	B8D-F1682-00	STAY, PLATE	1	
16	95607-06200	NUT, SELF U-FLANGE	2	
17	95822-06012	BOLT, FLANGE	2	
18	90269-06816	RIVET	2	
19	90183-06800	NUT, SPRING	2	
20	B7D-F1629-00	GUARD, MUD	1	
21	B8D-F1640-00	REAR STAY COMP.	1	
22	97702-50016	SCREW,TAPPING	4	
23	90183-050A7	NUT, SPRING	2	
24	90119-05071	BOLT, WITH WASHER	2	
25	B7D-F163A-00	COVER, REAR FENDER 1	1	
26	B8D-F465B-00	CAP, ROTOR	1	

FIG. 18 FENDER



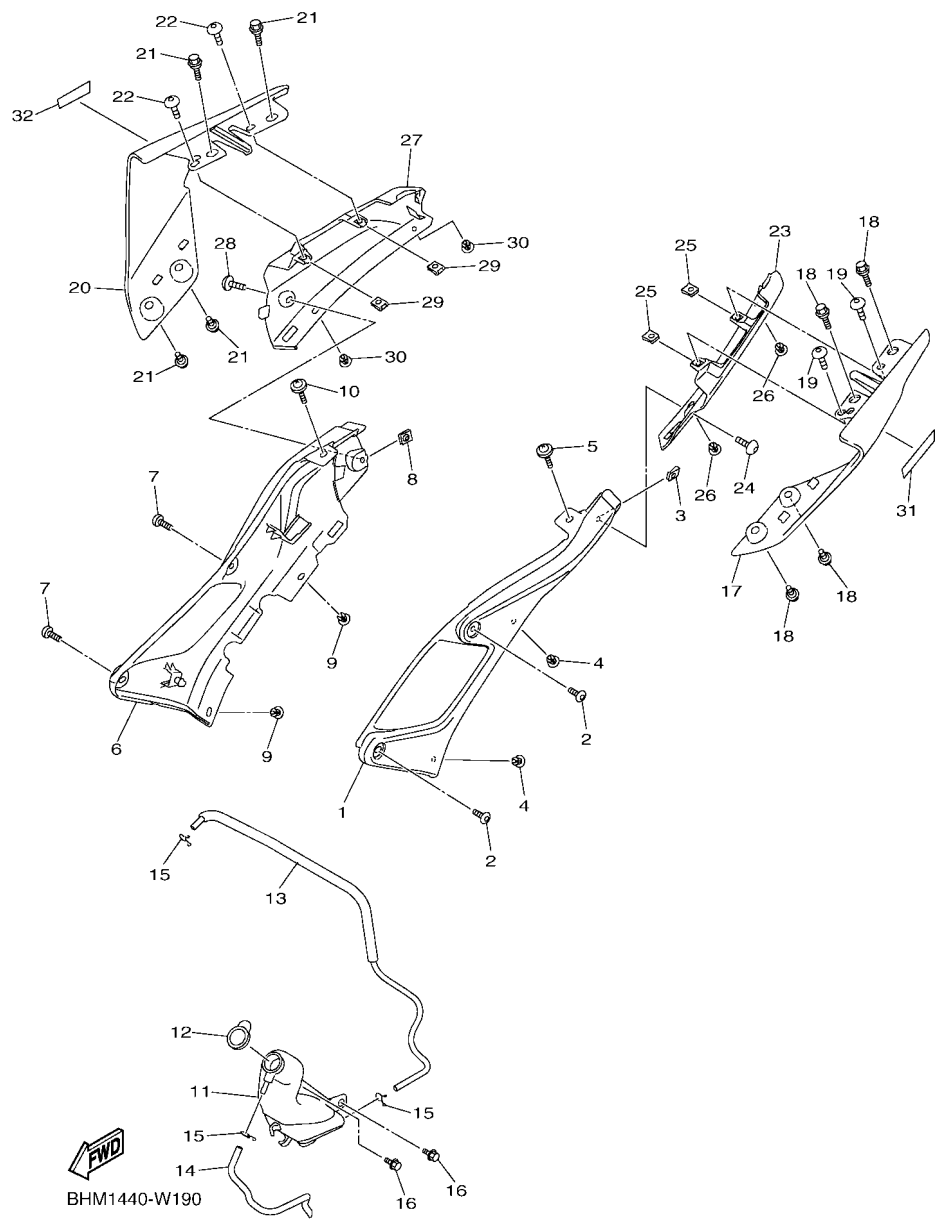
REF. NO.	PART NO.	DESCRIPTION	BHM1				REMARKS
27	90241-03800	PIN	1				
28	90508-09007	SPRING, TORSION	1				
29	90183-03010	NUT, SPRING	1				
30	95602-06200	NUT, SELF-LOCKING	4				
31	90520-08804	DAMPER, PLATE	1				
32	B8D-F1391-00	BRACKET, SEAT	1				
33	B2S-F1641-01	BRACKET, REFLECTOR	1				
34	2FC-H5111-00	REFLECTOR, 1	2				
35	95707-05500	NUT, FLANGE	2				
36	98507-06020	SCREW, PAN HEAD	2				
37	90201-06557	WASHER, PLATE	4				
38	95602-06200	NUT, SELF-LOCKING	2				



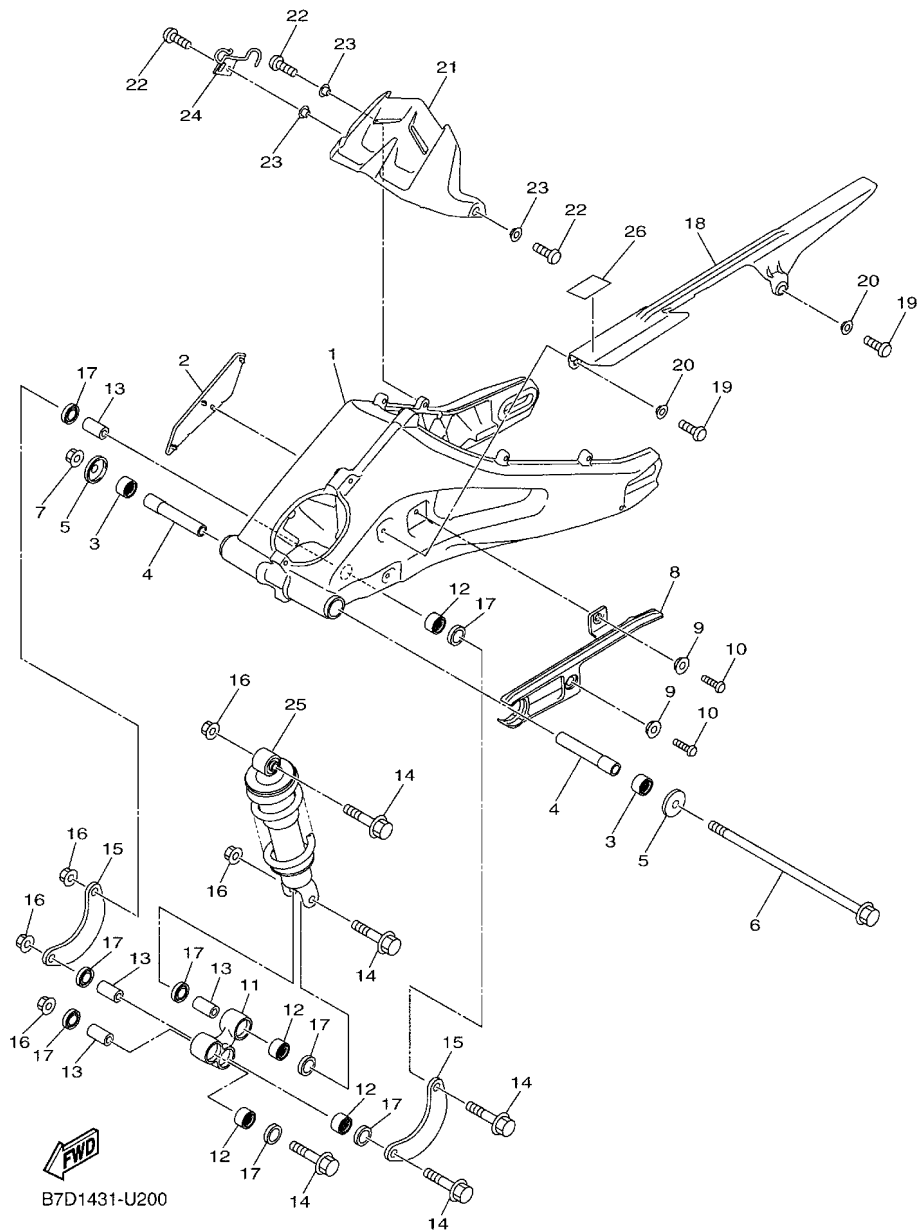
**FIG. 19 SIDE COVER**

REF. NO.	PART NO.	DESCRIPTION	BHM1	REMARKS
1	B7D-F1711-00	COVER, SIDE 1	1	
2	90111-06856	BOLT,HEX. SOCKET BUTTON	2	
3	90183-05807	NUT, SPRING	1	
4	90269-06816	RIVET	2	
5	90159-06860	SCREW, WITH WASHER	1	
6	B7D-F1721-00	COVER, SIDE 2	1	
7	90111-06856	BOLT,HEX. SOCKET BUTTON	2	
8	90183-05807	NUT, SPRING	1	
9	90269-06816	RIVET	2	
10	90159-06860	SCREW, WITH WASHER	1	
11	BK6-F1871-00	TANK, RECOVERY	1	
12	1S7-F1875-01	CAP	1	
13	BK7-F1817-00	PIPE 2	1	
14	BK6-F247A-00	HOSE 1	1	
15	90467-08003	CLIP	3	
16	90109-06220	BOLT	2	
17	B8D-F1731-00-33	COVER, SIDE 3	1	UR FOR DPBMC
	B8D-F1731-00-P0	COVER, SIDE 3	1	UR FOR MLNM4
18	90109-068B2	BOLT	4	
19	97707-50016	SCREW, TRUSS HEAD TAPPING	2	
20	B8D-F1741-00-33	COVER, SIDE 4	1	UR FOR DPBMC
	B8D-F1741-00-P0	COVER, SIDE 4	1	UR FOR MLNM4
21	90109-068B2	BOLT	4	
22	97707-50016	SCREW, TRUSS HEAD TAPPING	2	
23	B7D-F171E-00	COVER, SIDE 5	1	
24	97707-50016	SCREW, TRUSS HEAD TAPPING	1	
25	90183-05807	NUT, SPRING	2	

**FIG. 19 SIDE COVER**

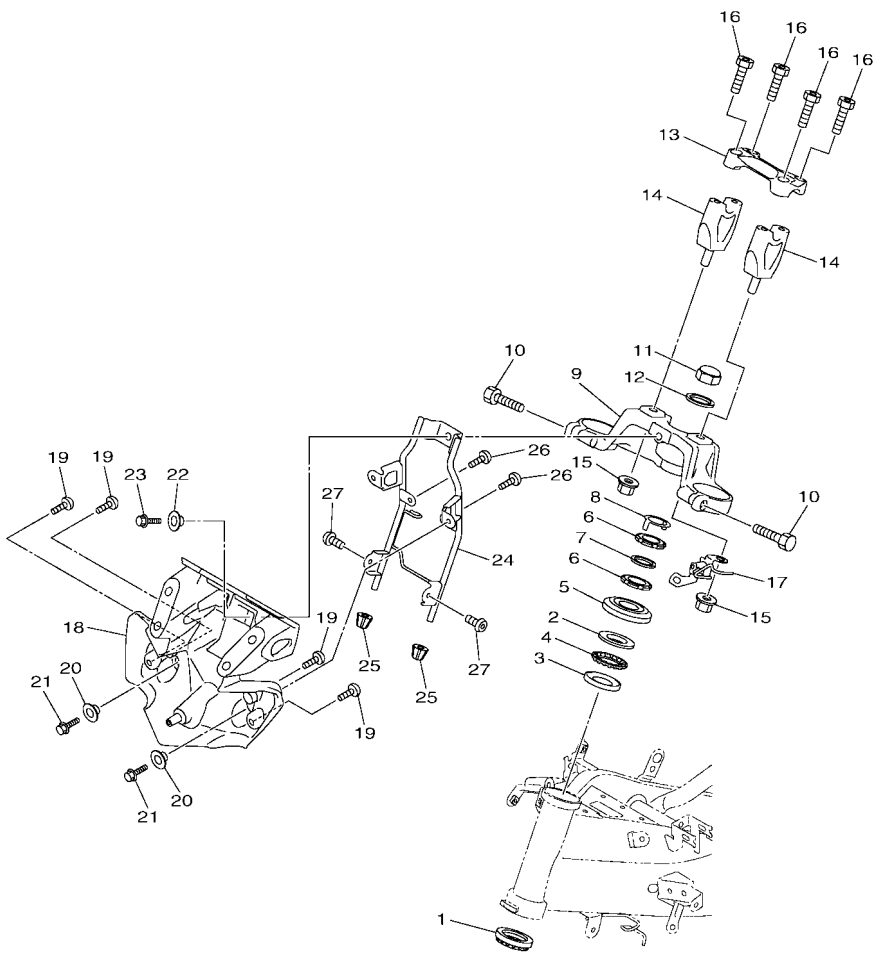


REF. NO.	PART NO.	DESCRIPTION	BHM1				REMARKS
26	90269-06816	RIVET	2				
27	B7D-F171X-00	COVER, SIDE 6	1				
28	97707-50016	SCREW, TRUSS HEAD TAPPING	1				
29	90183-05807	NUT, SPRING	2				
30	90269-06816	RIVET	2				
31	3S0-F153E-20	EMBLEM, YAMAHA	1				UR FOR DPBMC
	3S0-F153E-90	EMBLEM, YAMAHA	1				UR FOR MLNM4
32	3S0-F153E-20	EMBLEM, YAMAHA	1				UR FOR DPBMC
	3S0-F153E-90	EMBLEM, YAMAHA	1				UR FOR MLNM4



**FIG. 20 REAR ARM & SUSPENSION**

REF. NO.	PART NO.	DESCRIPTION	BHM1				REMARKS
1	BK6-F2110-00	REAR ARM COMP.	1				
2	BK7-F135F-00	COVER	1				
3	93317-218Y1	BEARING	2				
4	BK6-F2184-00	BUSH	2				
5	2PK-F2128-00	COVER, THRUST 1	2				
6	BK6-F2141-00	SHAFT, PIVOT	1				
7	95602-12200	NUT, SELF-LOCKING	1				
8	BK7-F2151-00	SEAL, GUARD	1				
9	90387-068S1	COLLAR	2				
10	92012-06016	BOLT, BUTTON HEAD	2				
11	1CK-F217A-00	ARM, RELAY	1				
12	93315-317Y1	BEARING	4				
13	90387-10814	COLLAR	4				
14	90105-10887	BOLT, FLANGE	5				
15	2PK-F217F-00	ROD, CONNECTING 1	2				
16	90179-10805	NUT	5				
17	93106-17801	OIL SEAL	8				
18	BK6-F2311-00	CASE, CHAIN	1				
19	92012-06016	BOLT, BUTTON HEAD	2				
20	90387-068S1	COLLAR	2				
21	BK7-F1650-00	REAR FENDER COMP.	1				
22	92012-06016	BOLT, BUTTON HEAD	3				
23	90387-068S1	COLLAR	3				
24	BK6-F587A-00	HOLDER, BRAKE HOSE 4	1				
25	B7D-F2210-00	SHOCK ABSORBER ASSY, REAR	1				
26	B8D-F1668-00	LABEL, TIRE	1				



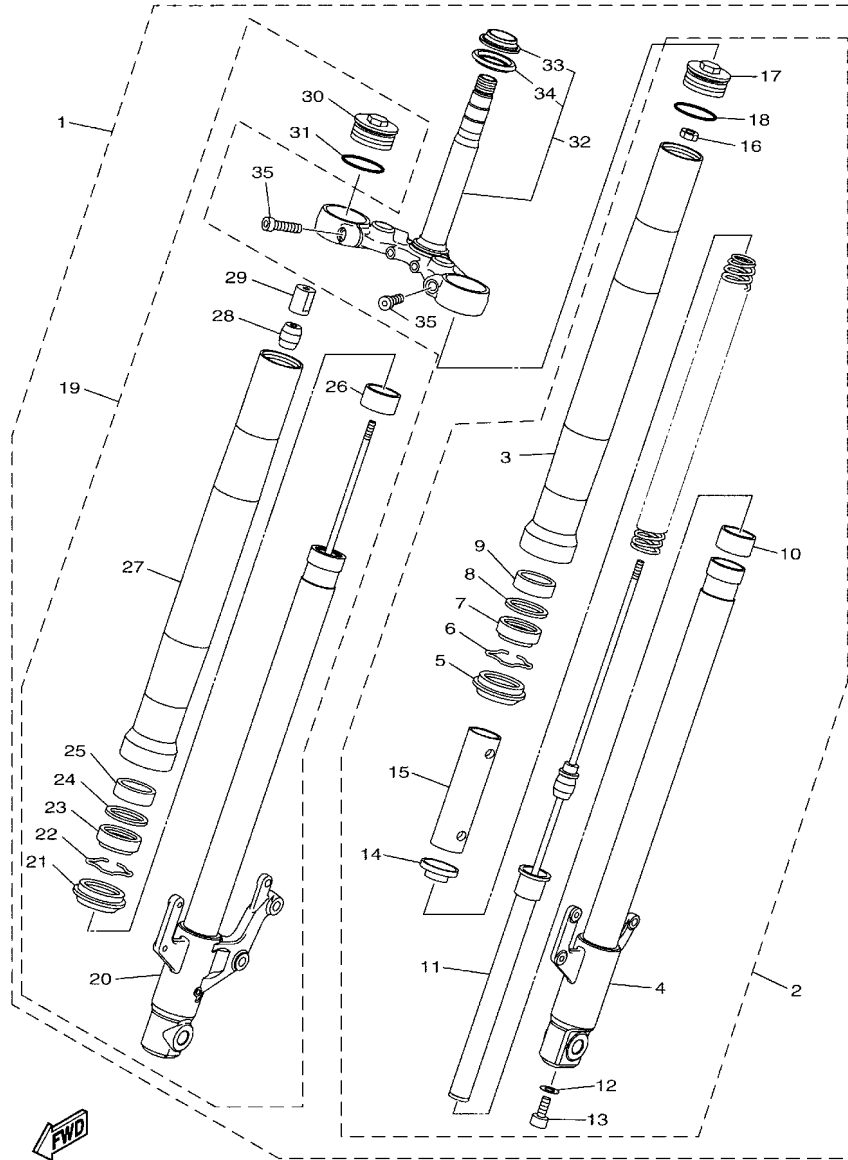
B7D1431-U210

FIG. 21 STEERING

REF. NO.	PART NO.	DESCRIPTION	BHM1				REMARKS
1	5BP-F3873-01	BEARING, STEERING UPPER	1				
2	4FP-F3411-20	RACE, BALL 1	1				
3	4FP-F3412-10	RACE, BALL 2	1				
4	5VL-F341E-10	RETAINER, BALL BEARING	1				
5	5BP-F3416-10	COVER, BALL RACE 2	1				
6	90179-25615	NUT	2				
7	90202-26142	WASHER, PLATE	1				
8	1PA-F3418-00	WASHER, SPECIAL	1				
9	B8D-F3435-00	CROWN, HANDLE	1				
10	91317-08035	BOLT,HEX.SOCKET HEAD	2				
11	90176-22081	NUT, CAP	1				
12	90201-220T0	WASHER, PLATE	1				
13	B48-F3441-00	HOLDER, HANDLE UPPER	1				
14	B48-F3442-01	HOLDER, HANDLE LOWER	2				
15	90185-10815	NUT, SELF-LOCKING	2				
16	91317-08030	BOLT,HEX.SOCKET HEAD	4				
17	B8D-F3175-00	BRACKET, HEADLIGHT STAY 1	1				
18	B8D-H4130-00	BODY ASSY, HEADLIGHT	1				
19	97707-50012	SCREW, TRUSS HEAD TAPPING	4				
20	90387-068S1	COLLAR	2				
21	95027-06014	BOLT, FLANGE	2				
22	90387-08079	COLLAR	1				
23	95022-08020	BOLT, FLANGE	1				
24	B8D-F3174-00	STAY, HEADLIGHT	1				
25	BG7-F317J-00	DAMPER 1	2				
26	90154-05041	SCREW, BINDING	2				
27	90111-05003	BOLT,HEX. SOCKET BUTTON	2				

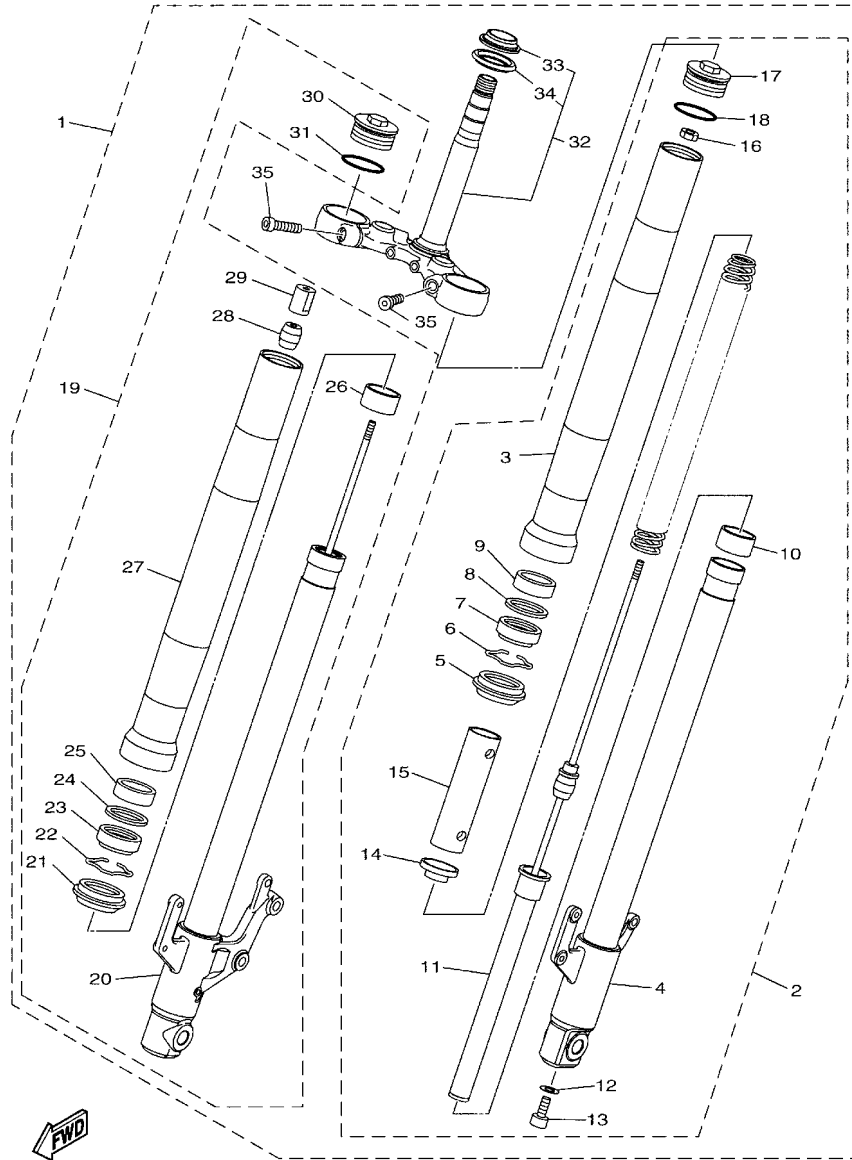


**FIG. 22 FRONT FORK**



B7D1431-U220

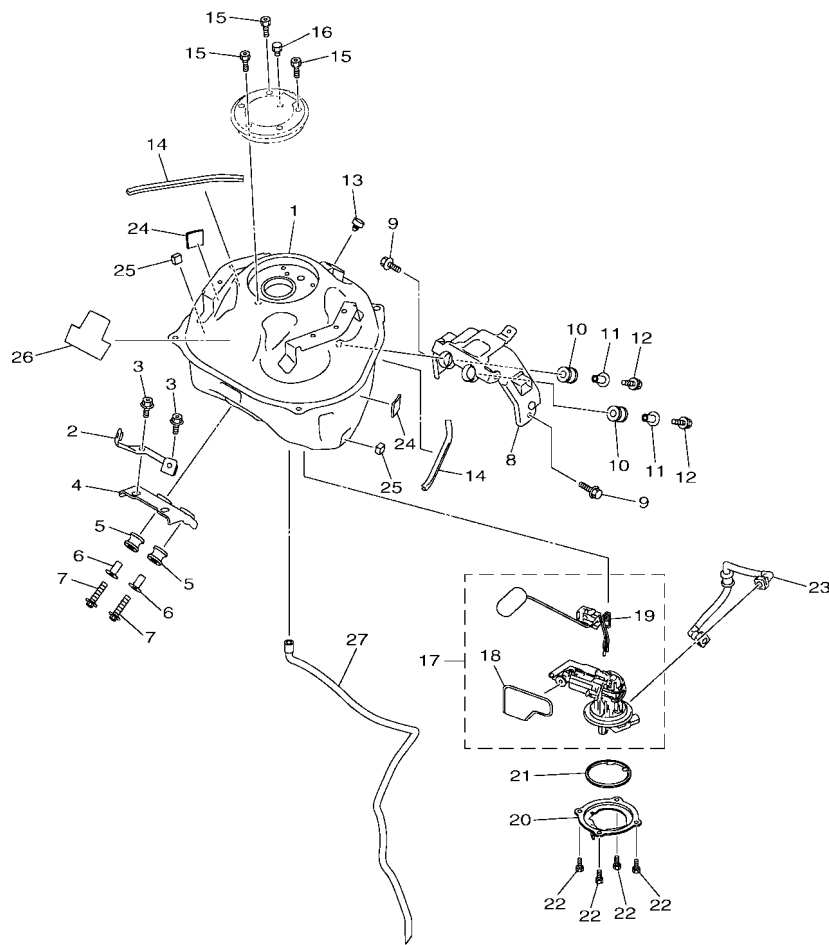
REF. NO.	PART NO.	DESCRIPTION	BHM1				REMARKS
1	B7D-F3100-00	FRONT FORK ASSY	1				
2	B7D-F3102-00	.FRONT FORK ASSY (L.H)	1				
3	B7D-F3126-00	..TUBE, OUTER	1				
4	B7D-F3110-00	..INNER TUBE COMP.1	1				
5	B48-F3144-00	..SEAL, DUST	1				
6	B48-F3156-00	..RING, SNAP	1				
7	BK6-F3145-00	..OIL SEAL	1				
8	B48-F3146-00	..WASHER, OIL SEAL	1				
9	31A-23125-31	..METAL, SLIDE 1	1				
10	B48-F3171-00	..PISTON, FRONT FORK	1				
11	B7D-F3170-00	..CYLINDER COMP., FRONT FORK	1				
12	B48-F3158-00	..GASKET	1				
13	4TU-F3356-00	..BOLT 2	1				
14	B7D-F3117-00	..GUIDE, SPRING	1				
15	B7D-F3118-00	..SPACER	1				
16	B7D-F3357-00	..NUT	1				
17	B48-F3111-00	..BOLT, CAP	1				
18	B48-F3147-00	..O-RING	1				
19	B7D-F3103-00	..FRONT FORK ASSY (R.H)	1				
20	B7D-F3120-00	..INNER TUBE COMP.2	1				
21	B48-F3144-00	..SEAL, DUST	1				
22	B48-F3156-00	..RING, SNAP	1				
23	BK6-F3145-00	..OIL SEAL	1				
24	B48-F3146-00	..WASHER, OIL SEAL	1				
25	31A-23125-31	..METAL, SLIDE 1	1				
26	B48-F3171-00	..PISTON, FRONT FORK	1				
27	B7D-F3126-00	..TUBE, OUTER	1				



B7D1431-U220

**FIG. 22 FRONT FORK**

REF. NO.	PART NO.	DESCRIPTION	BHM1					REMARKS
28	BK6-F332K-00	..BUMP, STOP	1					
29	B7D-F3393-00	..NUT, SPECIAL	1					
30	B48-F3111-00	..BOLT, CAP	1					
31	B48-F3147-00	..O-RING	1					
32	B7D-F3340-00	..UNDER BRACKET COMP.	1					
33	5BP-F3875-00	..BEARING, STEERING LOWER	1					
34	4TU-F3144-00	..SEAL, DUST	1					
35	91312-10040	..BOLT, HEXAGON SOCKET HEAD	2					



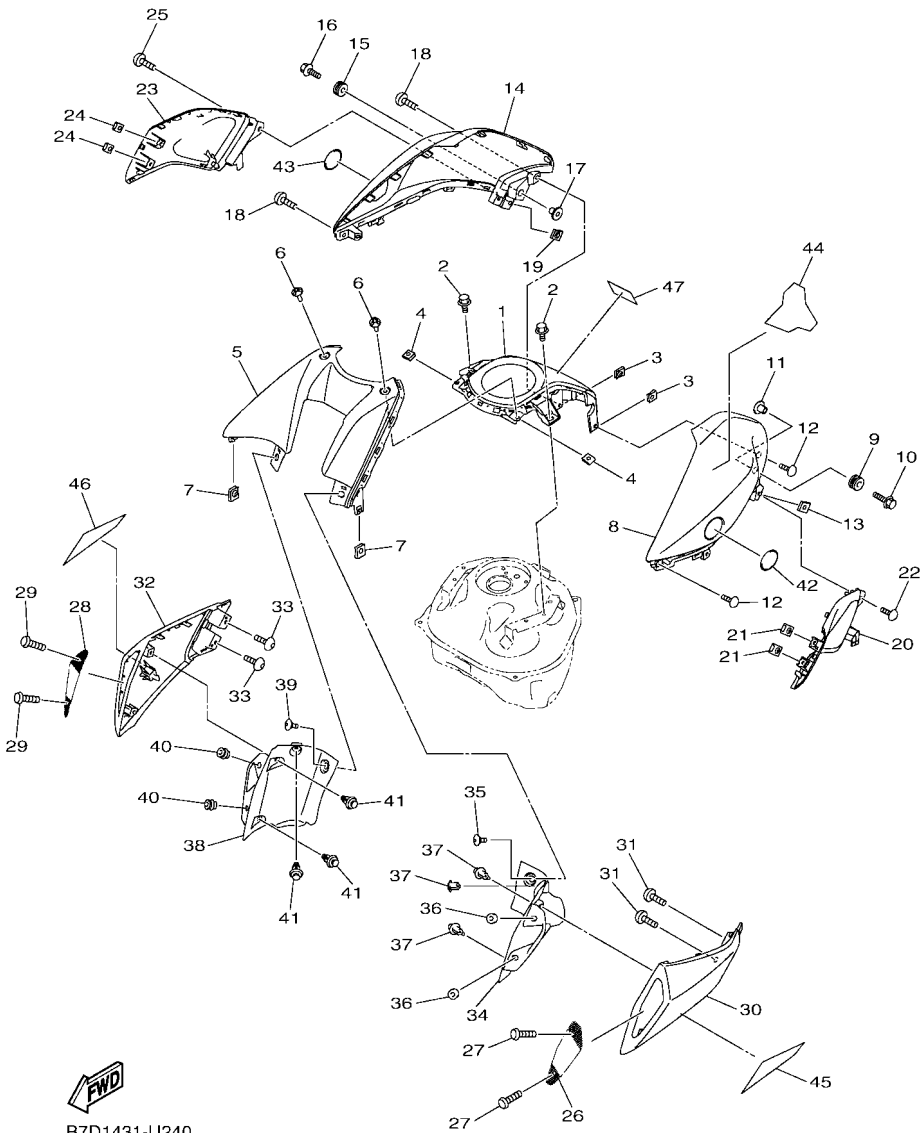
**FIG. 23 FUEL TANK**

REF. NO.	PART NO.	DESCRIPTION	BHM1				REMARKS
1	B8D-F4110-00	FUEL TANK COMP.	1				
2	B8D-F411F-00	PLATE, FITTING	1				
3	90110-08052	BOLT, HEXAGON SOCKET HEAD	2				
4	B8D-F412Y-00	BRACKET, TANK FITTING	1				
5	90480-18813	GROMMET	2				
6	90387-068M3	COLLAR	2				
7	95022-06030	BOLT, FLANGE	2				
8	B8D-F4191-00	BRACKET, FUEL TANK 1	1				
9	90110-06245	BOLT, HEXAGON SOCKET HEAD	2				
10	90480-18813	GROMMET	2				
11	90387-068M3	COLLAR	2				
12	95022-06030	BOLT, FLANGE	2				
13	1PA-F1717-00	DAMPER	1				
14	B8D-F4188-00	MOLD, FUEL TANK	2				
15	90110-05806	BOLT, HEXAGON SOCKET HEAD	3				
16	91312-05010	BOLT, HEXAGON SOCKET HEAD	1				
17	B7D-E3907-00	FUEL PUMP COMP.	1				
18	54P-E3915-00	.FILTER, FUEL SUCTION	1				
19	B7D-H5752-00	.SENDER UNIT ASSY, FUEL METER	1				
20	BK6-F4491-00	BRACKET, FUEL PUMP	1				
21	54P-F414G-10	SEAL	1				
22	91312-05010	BOLT, HEXAGON SOCKET HEAD	4				
23	BK6-E3971-00	PIPE, FUEL 1	1				
24	90520-03800	DAMPER, PLATE	2				
25	90520-08007	DAMPER, PLATE	2				
26	B8D-F414J-00	DAMPER, PLATE 2	1				
27	BK7-F4312-00	PIPE 2	1				



BHM1440-W230

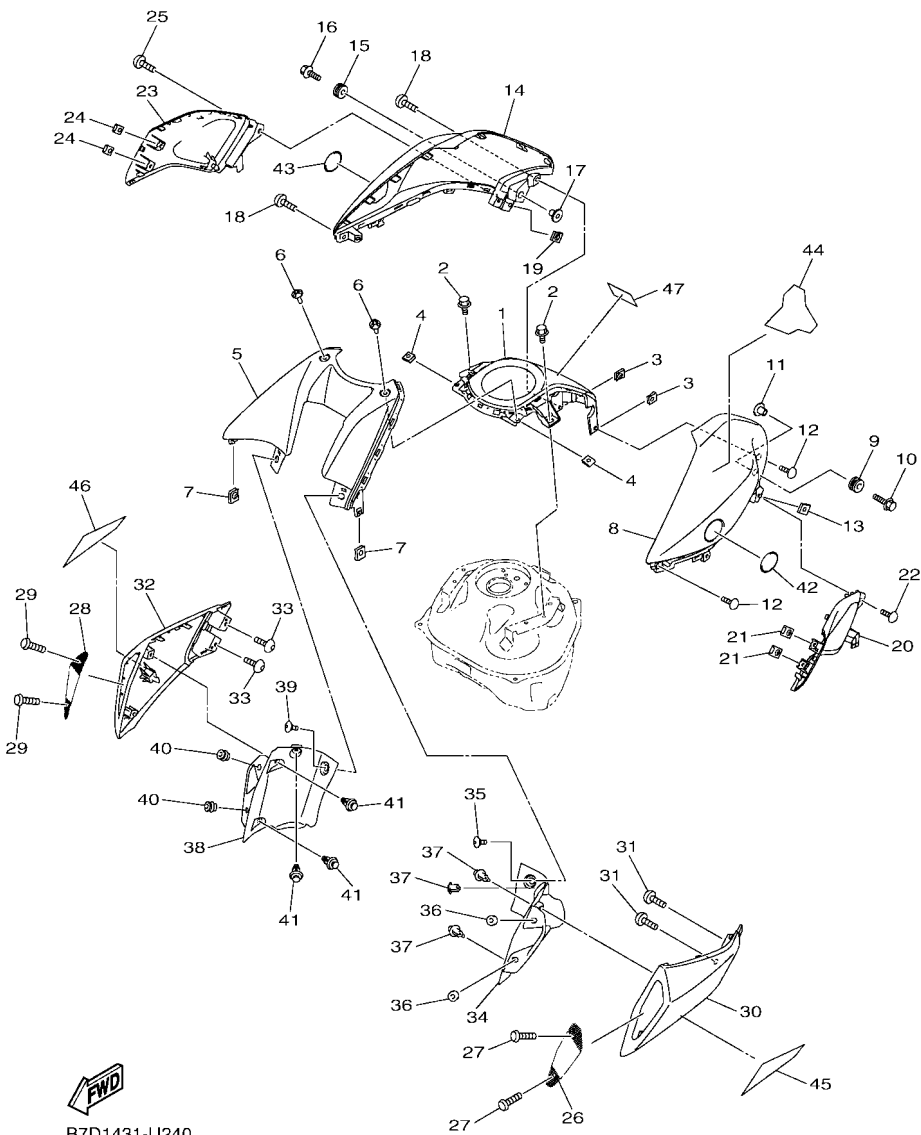
FIG. 24 FUEL TANK 2



B7D1431-U240

REF. NO.	PART NO.	DESCRIPTION	BHM1			REMARKS
1	B8D-F41B1-00-P0	COVER, TANK	1			MBL2
2	90109-06202	BOLT	2			
3	90183-05807	NUT, SPRING	2			
4	90183-050A7	NUT, SPRING	2			
5	B7D-F836K-00	PANEL, INNER 1	1			
6	90111-05817	BOLT, HEX. SOCKET BUTTON	2			
7	90183-05807	NUT, SPRING	2			
8	B8D-F4129-00-P3	COVER, SIDE 1	1			UR FOR DPBMC
	B8D-F4129-00-P0	COVER, SIDE 1	1			UR FOR MLNM4
9	90480-12808	GROMMET	1			
10	90119-06810	BOLT, WITH WASHER	1			
11	90387-06899	COLLAR	1			
12	97702-50016	SCREW, TAPPING	2			
13	90183-05807	NUT, SPRING	1			
14	B8D-F4139-00-P3	COVER, SIDE 2	1			UR FOR DPBMC
	B8D-F4139-00-P0	COVER, SIDE 2	1			UR FOR MLNM4
15	90480-12808	GROMMET	1			
16	90119-06810	BOLT, WITH WASHER	1			
17	90387-06899	COLLAR	1			
18	97702-50016	SCREW, TAPPING	2			
19	90183-05807	NUT, SPRING	1			
20	B7D-F4121-00	SEAT, KNEE GRIP 1	1			
21	90183-05807	NUT, SPRING	2			
22	97702-50016	SCREW, TAPPING	1			
23	B7D-F4122-00	SEAT, KNEE GRIP 2	1			
24	90183-05807	NUT, SPRING	2			
25	97702-50016	SCREW, TAPPING	1			

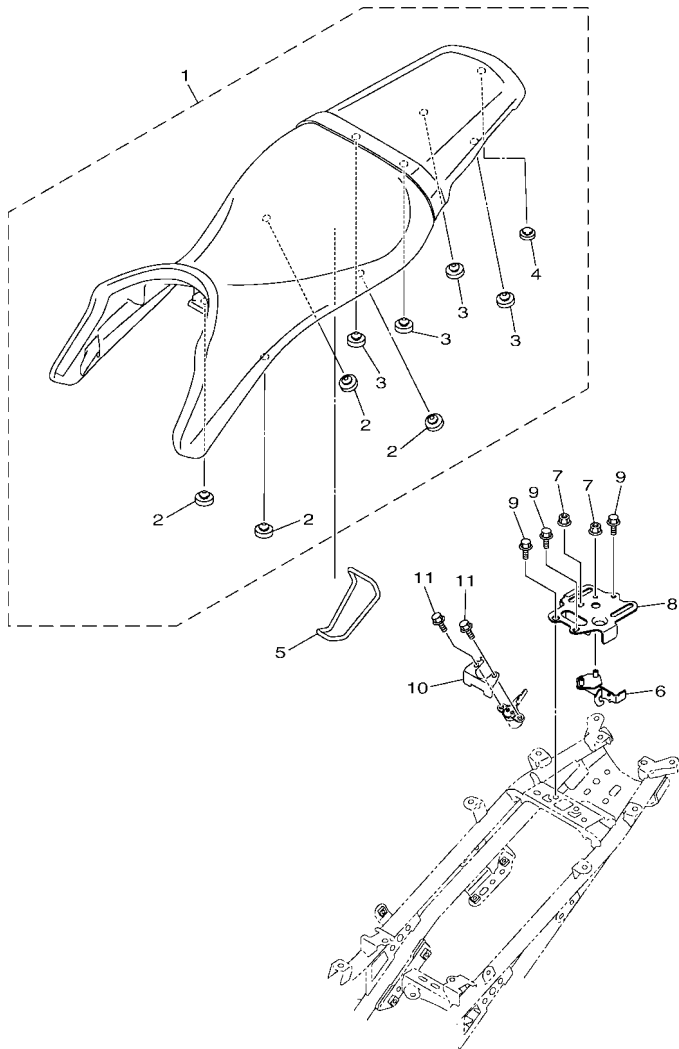
**FIG. 24 FUEL TANK 2**



B7D1431-U240

REF. NO.	PART NO.	DESCRIPTION	BHM1				REMARKS
26	B7D-F837V-00	GRILL, AIR OUTLET 1	1				
27	92017-05016	BOLT, BUTTON HEAD	2				
28	B7D-F837W-00	GRILL, AIR OUTLET 2	1				
29	92017-05016	BOLT, BUTTON HEAD	2				
30	B8D-F137W-00-P0	SCOOP, AIR 1	1				MBL2
31	97702-50012	SCREW, TAPPING	2				
32	B8D-F137X-00-P0	SCOOP, AIR 2	1				MBL2
33	97702-50012	SCREW, TAPPING	2				
34	B7D-F836L-00	PANEL, INNER 2	1				
35	90109-068C3	BOLT	1				
36	90179-05849	NUT	2				
37	90269-06816	RIVET	3				
38	B7D-F836M-00	PANEL, INNER 3	1				
39	90109-068C3	BOLT	1				
40	90179-05849	NUT	2				
41	90269-06816	RIVET	3				
42	2DP-F413B-00	EMBLEM	1				
43	2DP-F413B-00	EMBLEM	1				
44	B8D-F8391-30	GRAPHIC 1	1				UR FOR DPBMC
	B8D-F8391-00	GRAPHIC 1	1				UR FOR MLNM4
45	B8D-F8393-30	GRAPHIC 3	1				UR FOR DPBMC
	B8D-F8393-00	GRAPHIC 3	1				UR FOR MLNM4
46	B8D-F8394-30	GRAPHIC 4	1				UR FOR DPBMC
	B8D-F8394-00	GRAPHIC 4	1				UR FOR MLNM4
47	B17-F1568-00	LABEL, WARNING	1				

**FIG. 25 SEAT**

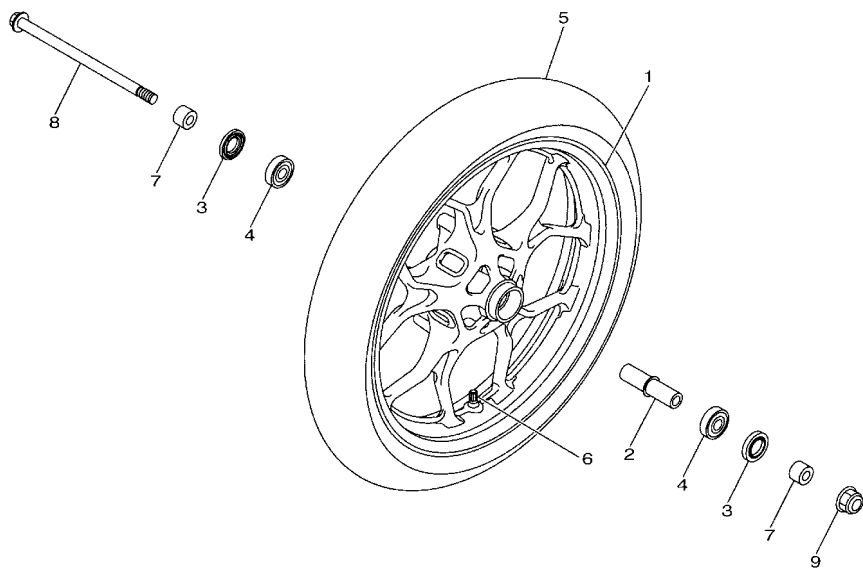


REF. NO.	PART NO.	DESCRIPTION	BHM1				REMARKS
1	B9D-F4730-00	DOUBLE SEAT ASSY	1				
2	1PM-F4741-00	.PAD, SEAT	4				
3	4LS-F4741-00	.PAD, SEAT	4				
4	B9D-F4741-00	.PAD, SEAT	1				
5	5TL-H2131-00	BAND, BATTERY	1				
6	B9D-F4780-00	SEAT LOCK ASSY	1				
7	95707-06500	NUT, FLANGE	2				
8	B8D-F478X-00	BRACKET, SEAT LOCK	1				
9	95822-06014	BOLT, FLANGE	3				
10	B8D-F479K-00	PLATE, LOCK	1				
11	95022-06016	BOLT, FLANGE	2				



BHM1440-W250

**FIG. 26 FRONT WHEEL**

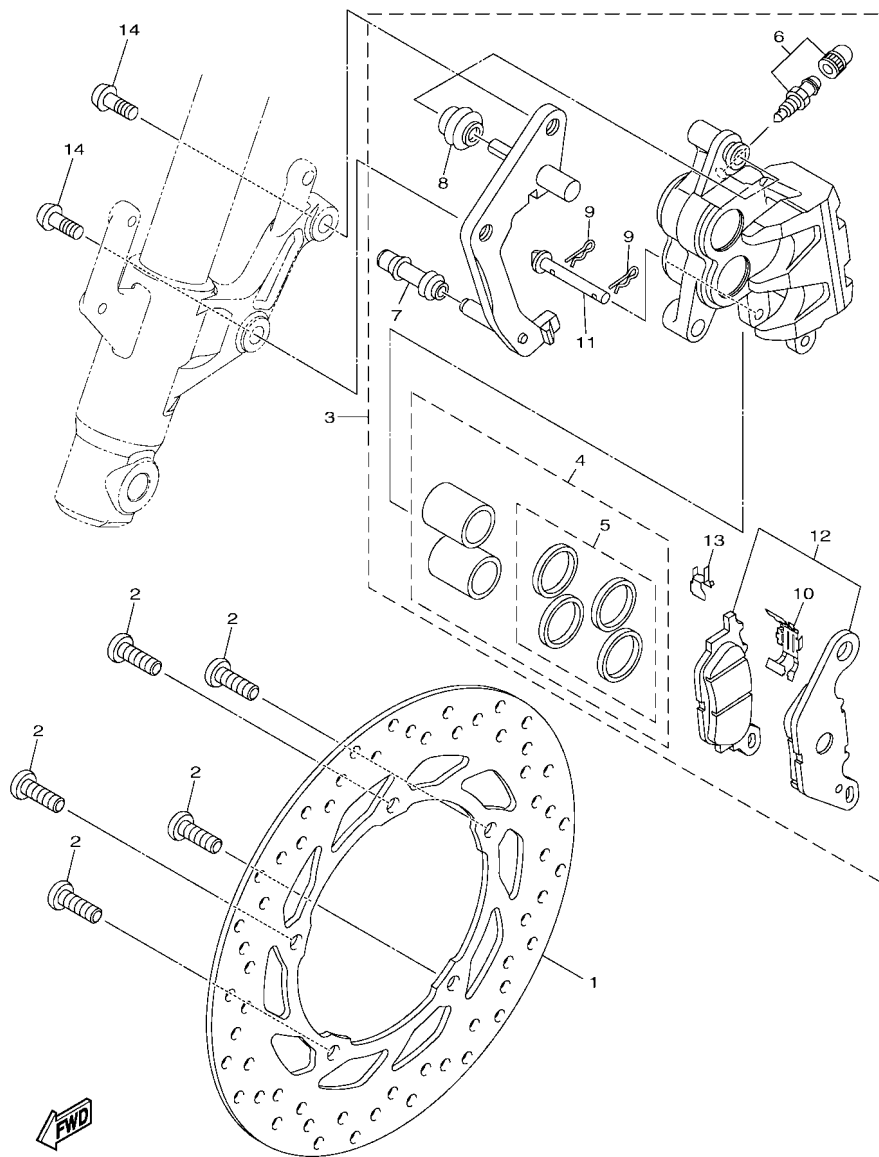


REF. NO.	PART NO.	DESCRIPTION	BHM1				REMARKS
1	1WD-F5168-03-P0	CAST WHEEL, FRONT	1				UR FOR DPBMC
	1WD-F5168-03-P2	CAST WHEEL, FRONT	1				UR FOR MLNM4
2	1WD-F510C-01	COLLAR ASSY.	1				
3	93106-26815	OIL SEAL	2				
4	93306-302YN	BEARING	2				
5	94111-17801	TIRE (110/70-17M/C 54S RX-01F)	1				INOUE
6	93900-00824	VALVE, RIM	1				
7	1PA-F5386-00	COLLAR, SPROCKET AXLE	2				
8	BG7-F5181-00	AXLE, WHEEL	1				
9	95602-14200	NUT, SELF-LOCKING	1				



B7D1431-U260

**FIG. 27 FRONT BRAKE CALIPER**



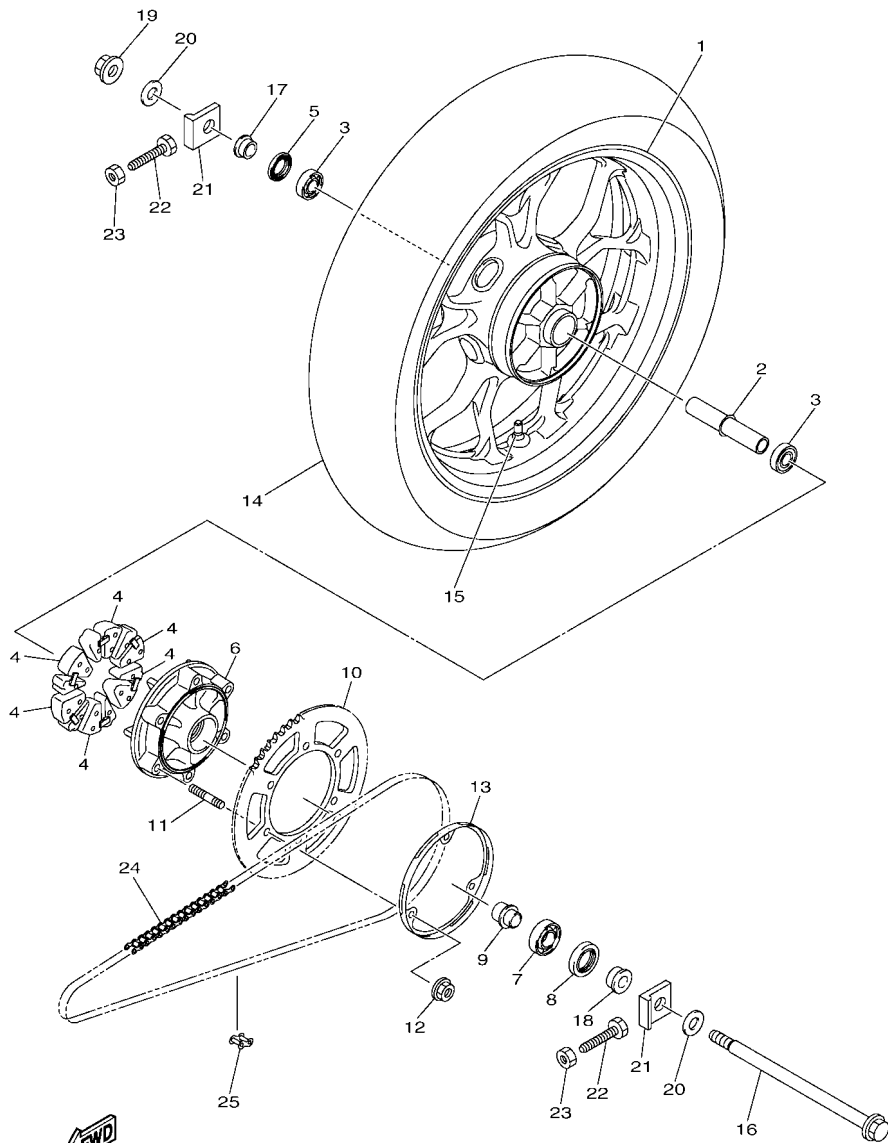
BHM1440-W270

REF. NO.	PART NO.	DESCRIPTION	BHM1				REMARKS
1	1CK-F582U-00	DISK, BRAKE (RIGHT)	1				
2	90111-08087	BOLT,HEX. SOCKET BUTTON	5				
3	B48-F580U-01	CALIPER ASSY (RIGHT)	1				
4	3C1-F5802-00	.PISTON ASSY, CALIPER	1				
5	3C1-F5803-50	..CALIPER SEAL KIT	1				
6	4C9-W0048-00	..BLEED SCREW KIT	1				
7	5YP-F5937-00	..BOOT 2	1				
8	5YP-F5917-00	..BOOT, CALIPER	1				
9	5YP-F5925-01	..CLIP	2				
10	5P0-F5919-01	..SUPPORT, PAD	1				
11	5YP-F5924-00	..PIN, PAD	1				
12	3C1-F5805-10	..BRAKE PAD KIT	1				
13	5YP-F5939-00	..CLIP, PAD	1				
14	90149-10804	SCREW	2				



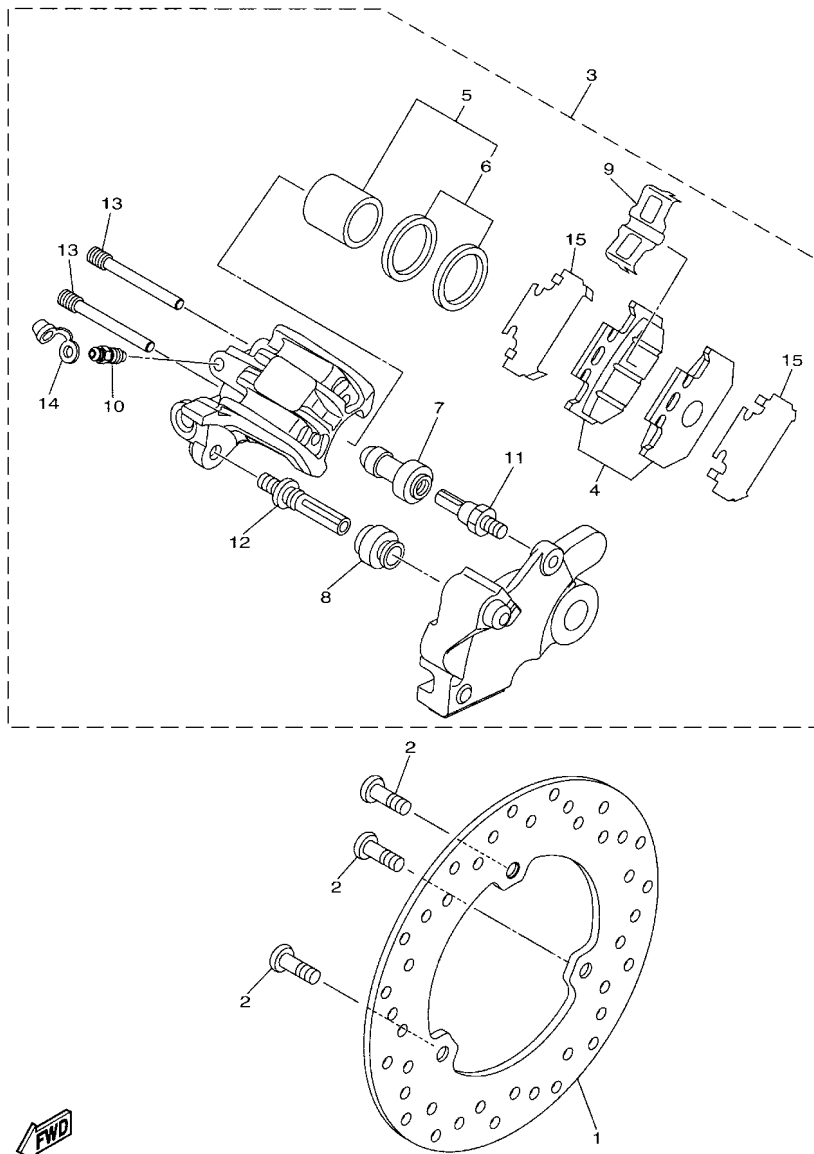
**FIG. 28 REAR WHEEL**

REF. NO.	PART NO.	DESCRIPTION	BHM1				REMARKS
1	B7D-F5338-10	CAST WHEEL, REAR	1				UR FOR DPBMC
	B7D-F5338-30	CAST WHEEL, REAR	1				UR FOR MLNM4
2	B97-F530S-00	COLLAR ASSY	1				
3	93306-252YP	BEARING	2				
4	B97-F5364-00	DAMPER	6				
5	93106-22808	OIL SEAL	1				
6	BK6-F5366-00	CLUTCH, HUB	1				
7	93306-054XC	BEARING	1				
8	93106-26815	OIL SEAL	1				
9	B97-F5376-00	COLLAR, WHEEL	1				
10	B8D-F5452-00	SPROCKET, DRIVEN (52T)	1				
11	90116-08846	BOLT, STUD	6				
12	95602-08200	NUT, U FLANGE	6				
13	BK6-F5414-00	SPACER	1				
14	94114-17802	TIRE (140/70-17M/C 66S RX-01R)	1				INOUE
15	93900-00824	VALVE, RIM	1				
16	5BP-F5381-00	AXLE, WHEEL	1				
17	B97-F5377-00	COLLAR, WHEEL	1				
18	B97-F5383-00	COLLAR, WHEEL	1				
19	95602-14200	NUT, SELF-LOCKING	1				
20	90201-15814	WASHER, PLATE	2				
21	1CK-F5388-00	PULLER, CHAIN 1	2				
22	90101-08006	BOLT	2				
23	95302-08700	NUT, HEXAGON	2				
24	94568-K1131	CHAIN	1				
25	94668-K1021	JOINT, CHAIN(DID428VIX2 ZJ)	1				



B7D1431-U280

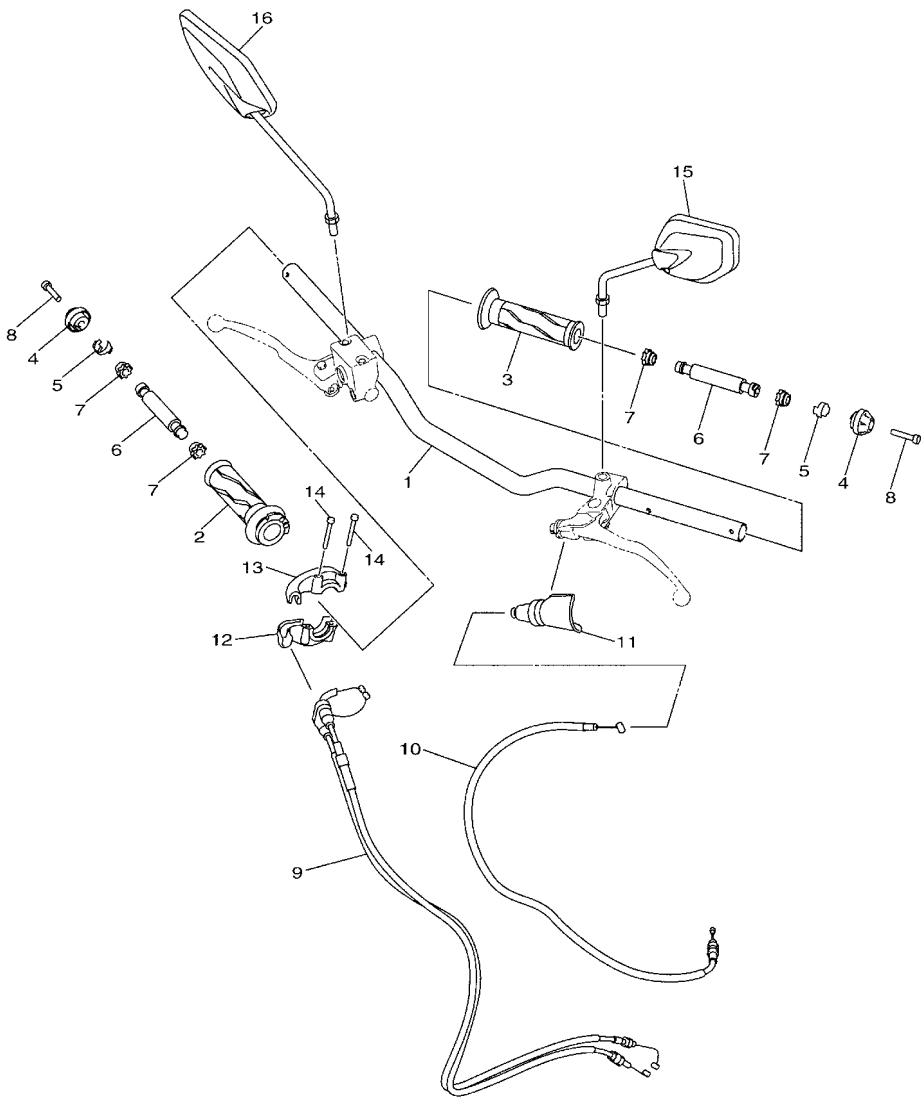
**FIG. 29 REAR BRAKE CALIPER**



B7D1431-U290

REF. NO.	PART NO.	DESCRIPTION	BHM1				REMARKS
1	BK6-F582W-00	DISK, REAR BRAKE 2	1				
2	90111-08089	BOLT,HEX. SOCKET BUTTON	3				
3	B97-F580W-00	CALIPER ASSY, REAR 2	1				
4	B97-F5806-00	.BRAKE PAD KIT 2	1				
5	5XT-25802-50	.PISTON ASSY, CALIPER	1				
6	3JD-25803-50	..CALIPER SEAL KIT	1				
7	5HH-F5937-00	.BOOT 2	1				
8	5HH-F5917-00	.BOOT, CALIPER	1				
9	3SP-25919-51	.SUPPORT, PAD	1				
10	5HH-F5824-00	.SCREW, BLEED	1				
11	5HH-F5914-00	.PIN, SLIDE	1				
12	3SP-25926-51	.BOLT	1				
13	3SP-25924-51	.PIN, PAD	2				
14	5HH-F5825-51	.CAP	1				
15	5XT-25827-00	.SHIM, CALIPER	2				

**FIG. 30 STEERING HANDLE & CABLE**

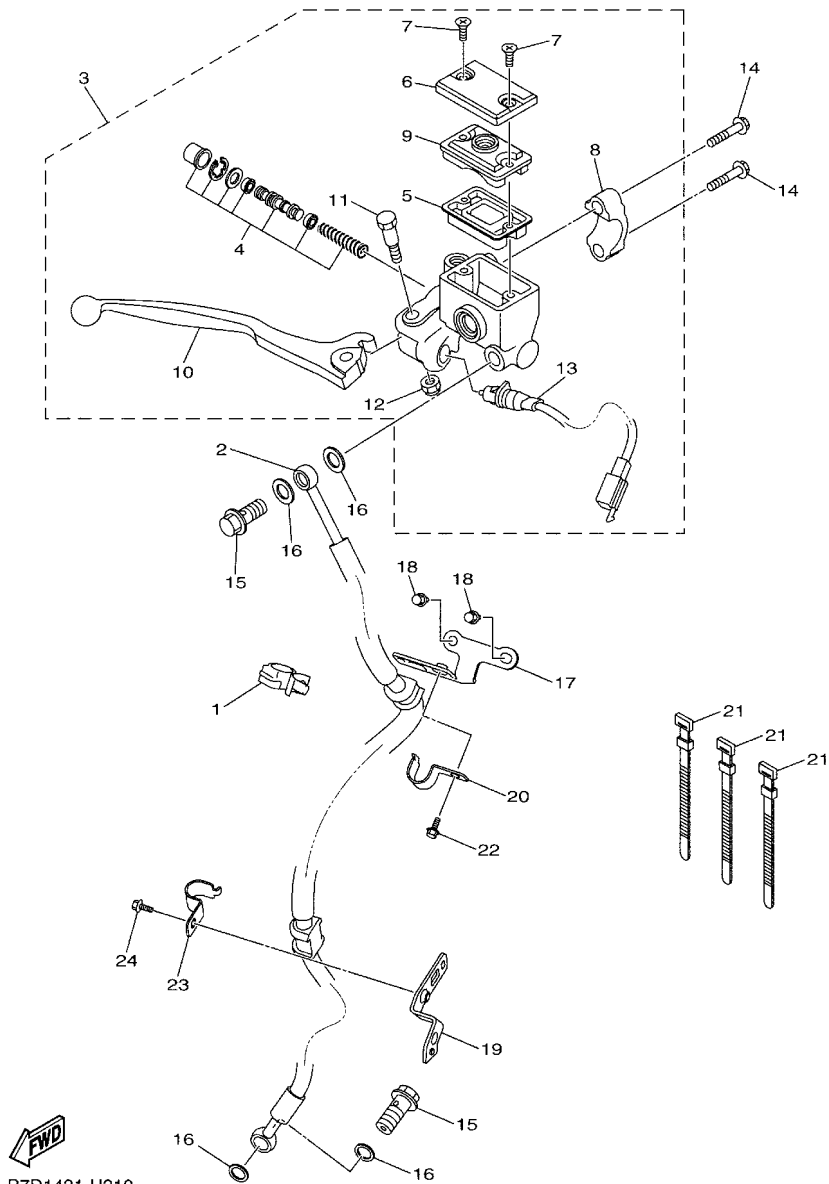


REF. NO.	PART NO.	DESCRIPTION	BHM1				REMARKS
1	B8D-F6111-00	HANDLEBAR	1				
2	1CK-F6240-01	GRIP ASSY	1				
3	20P-F6241-00	GRIP	1				
4	2PK-F6246-00	END, GRIP	2				
5	1S7-F6257-00	STOPPER	2				
6	1S7-F622H-00	WEIGHT	2				
7	1S7-F622F-00	DAMPER, LOCATING 1	4				
8	91317-06030	BOLT,HEX.SOCKET HEAD	2				
9	B8D-F6301-00	THROTTLE CABLE ASSY	1				
10	B8D-F6335-00	WIRE, CLUTCH	1				
11	3RS-F6372-00	COVER, HANDLE LEVER 1	1				
12	B7D-F6281-00	CAP, GRIP UPPER	1				
13	B7D-F6282-00	CAP, GRIP UNDER	1				
14	91317-05035	BOLT,HEX.SOCKET HEAD	2				
15	2CB-F6280-20	REAR VIEW MIRROR ASSY (LEFT)	1				
16	2CB-F6290-20	REAR VIEW MIRROR ASSY (RIGHT)	1				



B7D1431-U300

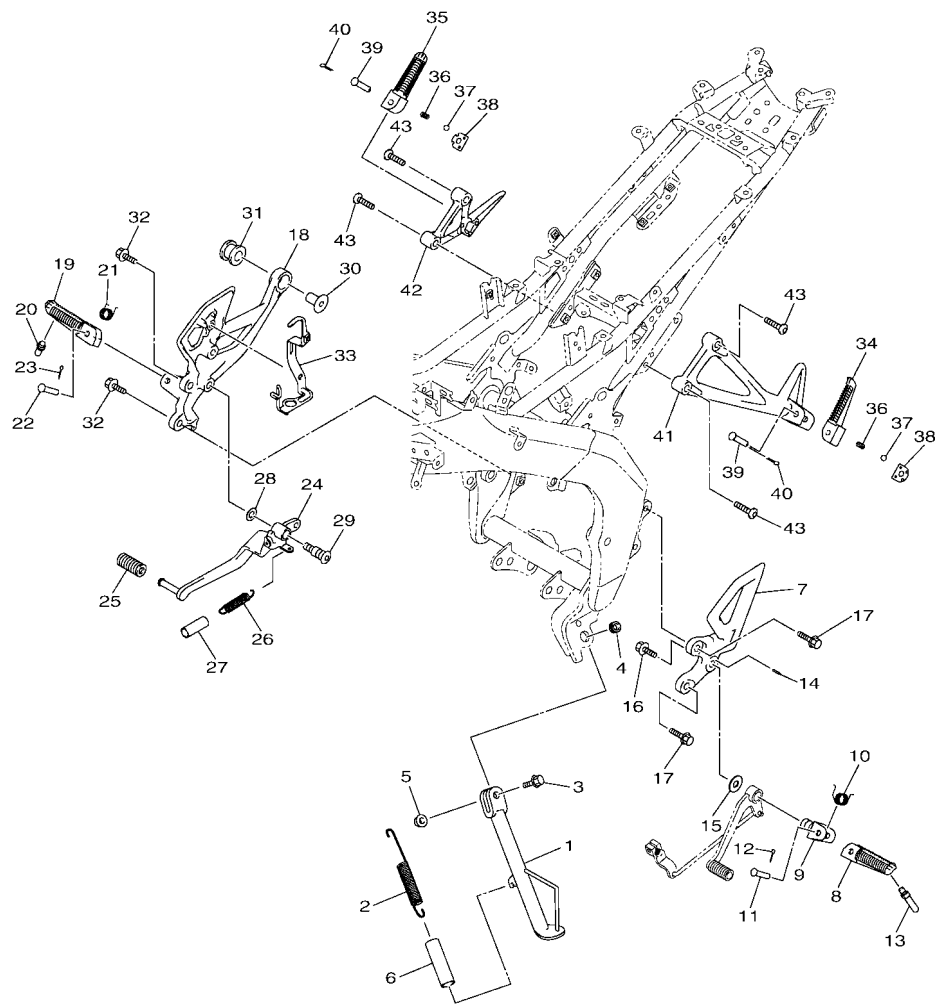
**FIG. 31 FRONT MASTER CYLINDER**



B7D1431-U310

REF. NO.	PART NO.	DESCRIPTION	BHM1				REMARKS
1	90464-18808	CLAMP	1				
2	B8D-F5872-00	HOSE, BRAKE 1	1				
3	B7D-F583T-01	MASTER CYLINDER ASSY	1				
4	5P0-F580A-00	.CYLINDER KIT, MASTER	1				
5	3RW-F5854-00	.DIAPHRAGM, RESERVOIR	1				
6	3C1-F5852-00	.CAP, RESERVOIR	1				
7	36Y-2589H-00	.SCREW	2				
8	3RW-F5867-00	.BRACKET, MASTER CYLINDER	1				
9	3C1-F5855-00	.BUSH,DIAPHRAGM	1				
10	38B-H3922-00	.LEVER 2	1				
11	90109-06577	.BOLT	1				
12	95602-06100	.NUT, SELF-LOCKING	1				
13	1YD-H3980-10	.FRONT STOP SWITCH ASSY	1				
14	95027-06025	BOLT, FLANGE	2				
15	90401-10812	BOLT, UNION	2				
16	90201-10118	WASHER, PLATE	4				
17	B8D-F5887-00	HOLDER, BRAKE HOSE 3	1				
18	95027-06010	BOLT, FLANGE	2				
19	B8D-F5876-00	HOLDER, BRAKE HOSE 2	1				
20	BG7-F5875-00	HOLDER, BRAKE HOSE 1	1				
21	3RS-H3936-00	BAND, SWITCH CORD	3				
22	95027-06010	BOLT, FLANGE	1				
23	BG7-F5875-00	HOLDER, BRAKE HOSE 1	1				
24	95027-06010	BOLT, FLANGE	1				

**FIG. 32 STAND & FOOTREST**

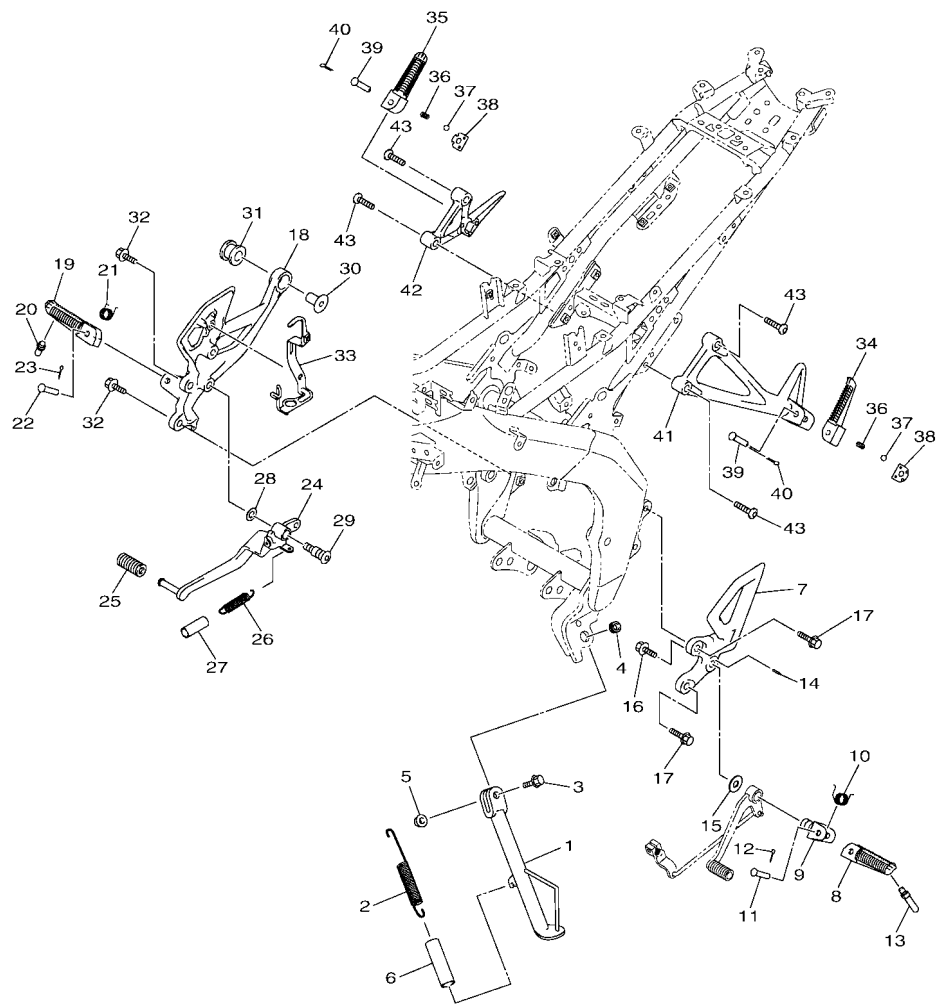


REF. NO.	PART NO.	DESCRIPTION	BHM1	REMARKS
1	B8D-F7311-00	STAND, SIDE	1	
2	90506-28800	SPRING, TENSION	1	
3	90105-10888	BOLT, FLANGE	1	
4	90387-10003	COLLAR	1	
5	95602-10200	NUT, S/L FLANGE	1	
6	90445-21848	HOSE (L70)	1	
7	B7D-F7442-00	BRACKET 2	1	
8	20P-F7451-00	FOOTREST	1	
9	2PK-F7411-00	FOOTREST 1	1	
10	90508-183B9	SPRING, TORSION	1	
11	90240-08144	PIN, CLEVIS	1	
12	91401-25015	PIN, COTTER	1	
13	2C0-27435-00	BOLT	1	UR Either can use
	20P-F7435-00	BOLT	1	UR Either can use
14	90249-02002	PIN	1	
15	90201-10066	WASHER, PLATE	1	
16	90110-10012	BOLT, HEXAGON SOCKET HEAD	1	
17	90110-08803	BOLT, HEXAGON SOCKET HEAD	2	
18	B7D-F7443-00	BRACKET 3	1	
19	20P-F7461-00	FOOTREST	1	
20	20P-F7435-00	BOLT	1	
21	90508-184B0	SPRING, TORSION	1	
22	90240-08145	PIN, CLEVIS	1	
23	91401-25015	PIN, COTTER	1	
24	B9D-F7211-00	PEDAL, BRAKE	1	
25	1EG-E8113-10	COVER, SHIFT PEDAL	1	
26	90506-20193	SPRING, TENSION	1	



B7D1431-U320

**FIG. 32 STAND & FOOTREST**

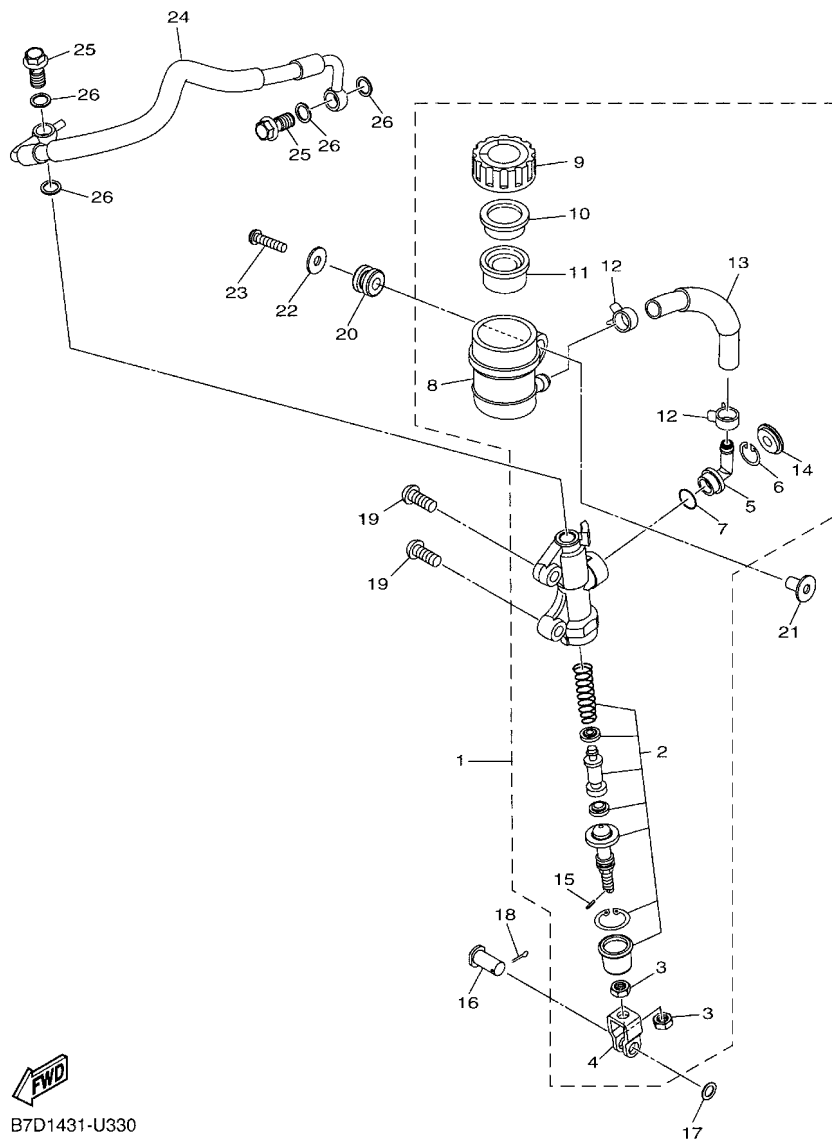


REF. NO.	PART NO.	DESCRIPTION	BHM1				REMARKS
27	90445-16807	HOSE	1				
28	90201-10021	WASHER, PLATE	1				
29	BS8-F7261-00	SHAFT	1				
30	90387-08842	COLLAR	1				
31	BK7-E4747-00	DAMPER, MUFFLER	1				
32	90110-08803	BOLT, HEXAGON SOCKET HEAD	2				
33	B7D-F144G-00	STAY, STOP SWITCH	1				
34	1WD-F7431-01	FOOTREST, REAR 1	1				
35	1WD-F7441-01	FOOTREST, REAR 2	1				
36	90501-12743	SPRING, COMPRESSION	2				
37	93501-04830	BALL	2				
38	1WD-F7437-00	WASHER, SPECIAL	2				
39	90240-08145	PIN, CLEVIS	2				
40	91401-25015	PIN, COTTER	2				
41	B7D-F741L-00	BRACKET 4	1				
42	B7D-F742L-00	BRACKET 5	1				
43	90110-08071	BOLT, HEXAGON SOCKET HEAD	4				



B7D1431-U320

**FIG. 33 REAR MASTER CYLINDER**

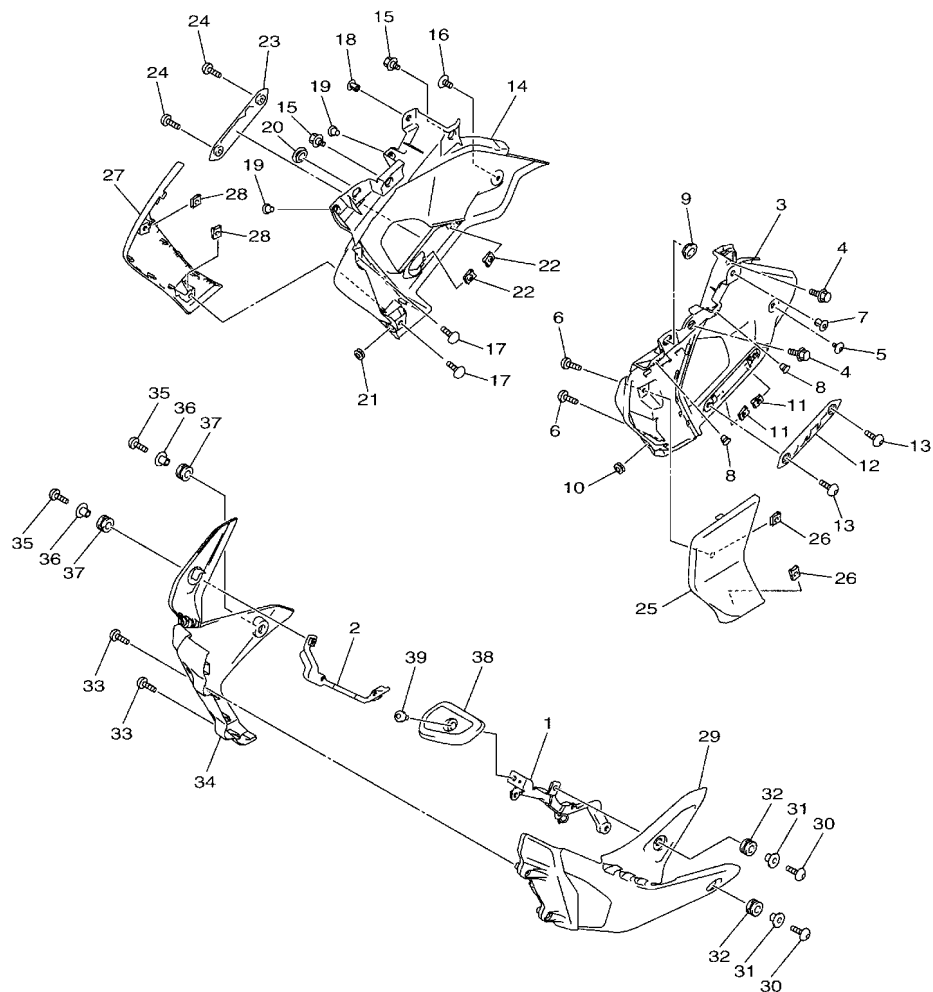


B7D1431-U330

REF. NO.	PART NO.	DESCRIPTION	BHM1				REMARKS
1	B7D-F580E-00	REAR MASTER CYLINDER ASSY	1				
2	B97-F5808-00	.CYLINDER KIT, MASTER	1				
3	95302-08700	.NUT, HEXAGON	2				
4	50C-F7222-00	.JOINT	1				
5	50C-F582A-50	.JOINT	1				
6	50C-F5866-00	.CIRCLIP	1				
7	93210-15620	.O-RING	1				
8	50C-F5894-11	.TANK, RESERVOIR	1				
9	BK6-F5852-00	.CAP, RESERVOIR	1				
10	50C-F5855-00	.BUSH,DIAPHRAGM	1				
11	2VN-F5854-00	.DIAPHRAGM, RESERVOIR	1				
12	90467-12085	.CLIP	2				
13	B7D-F5895-00	.HOSE, RESERVOIR	1				
14	50C-F589A-00	.COVER, DUST	1				
15	5BU-27234-00	.PIN, BRAKE ROD	1				
16	90240-08005	PIN, CLEVIS	1				
17	90201-08066	WASHER, PLATE	1				
18	91401-20012	PIN, COTTER	1				
19	92017-08025	BOLT, BUTTON HEAD	2				
20	50C-F4742-00	GROMMET	1				
21	50C-F6259-00	COLLAR	1				
22	90201-06828	WASHER, PLATE	1				
23	98507-06025	SCREW, PAN HEAD	1				
24	B8D-F5873-00	HOSE, BRAKE 2	1				
25	90401-10812	BOLT, UNION	2				
26	90201-10118	WASHER, PLATE	4				

**FIG. 34 LEG SHIELD**

REF. NO.	PART NO.	DESCRIPTION	BHM1	REMARKS
1	B7D-F8283-00	BRACKET, POUCH	1	
2	B7D-F8284-00	BRACKET, UNDER	1	
3	B7D-F137U-00	GUIDE, AIR 1	1	
4	90109-06202	BOLT	2	
5	90110-06102	BOLT, HEXAGON SOCKET HEAD	1	
6	97707-50012	SCREW, TRUSS HEAD TAPPING	2	
7	90269-06816	RIVET	1	
8	90338-06018	PLUG	2	
9	90480-01559	GROMMET	1	
10	90480-10623	GROMMET	1	
11	90183-05807	NUT, SPRING	2	
12	B7D-F8336-00	PLATE	1	
13	90160-05810	SCREW, ROUND TAPPING	2	
14	B7D-F137V-00	GUIDE, AIR 2	1	
15	90109-06202	BOLT	2	
16	90110-06102	BOLT, HEXAGON SOCKET HEAD	1	
17	97707-50012	SCREW, TRUSS HEAD TAPPING	2	
18	90269-06816	RIVET	1	
19	90338-06018	PLUG	2	
20	90480-01559	GROMMET	1	
21	90480-10623	GROMMET	1	
22	90183-05807	NUT, SPRING	2	
23	B7D-F8336-00	PLATE	1	
24	90160-05810	SCREW, ROUND TAPPING	2	
25	B8D-F835U-00-P3	PANEL 1	1	UR FOR DPBMC
	B8D-F835U-00-P0	PANEL 1	1	UR FOR MLNM4
26	90183-05807	NUT, SPRING	2	

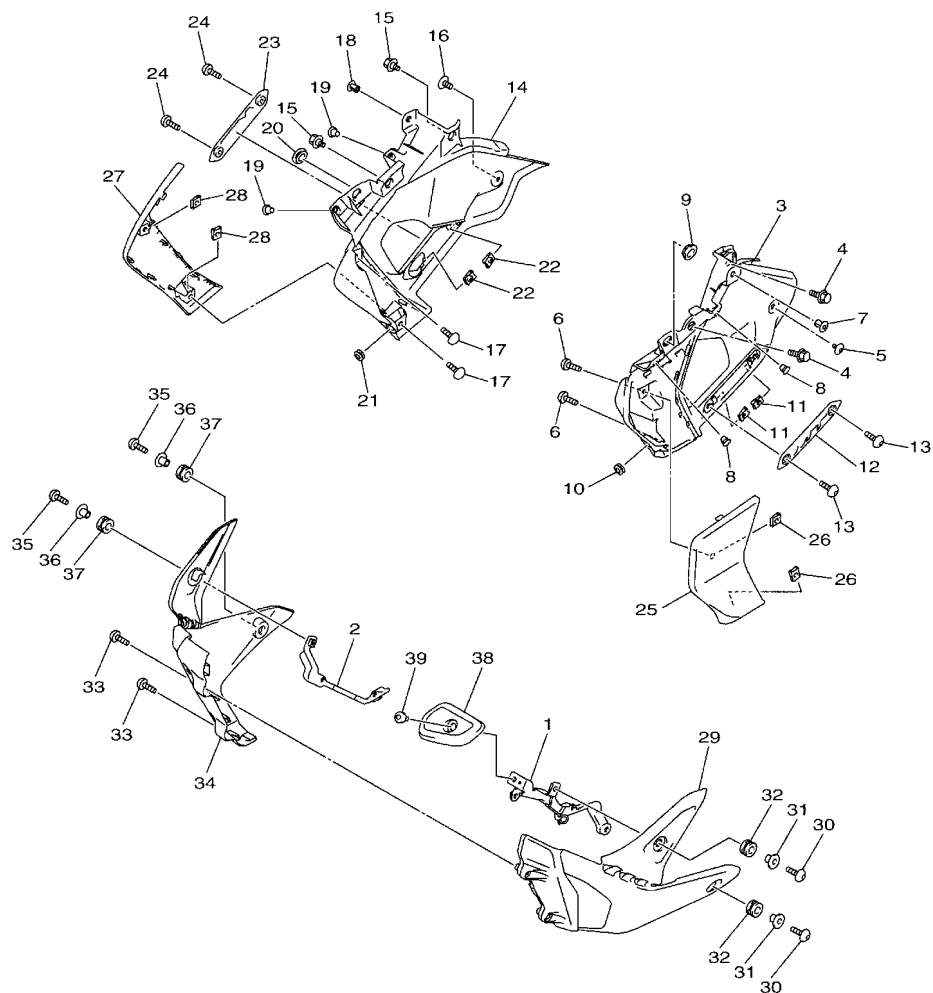


B7D1431-U340



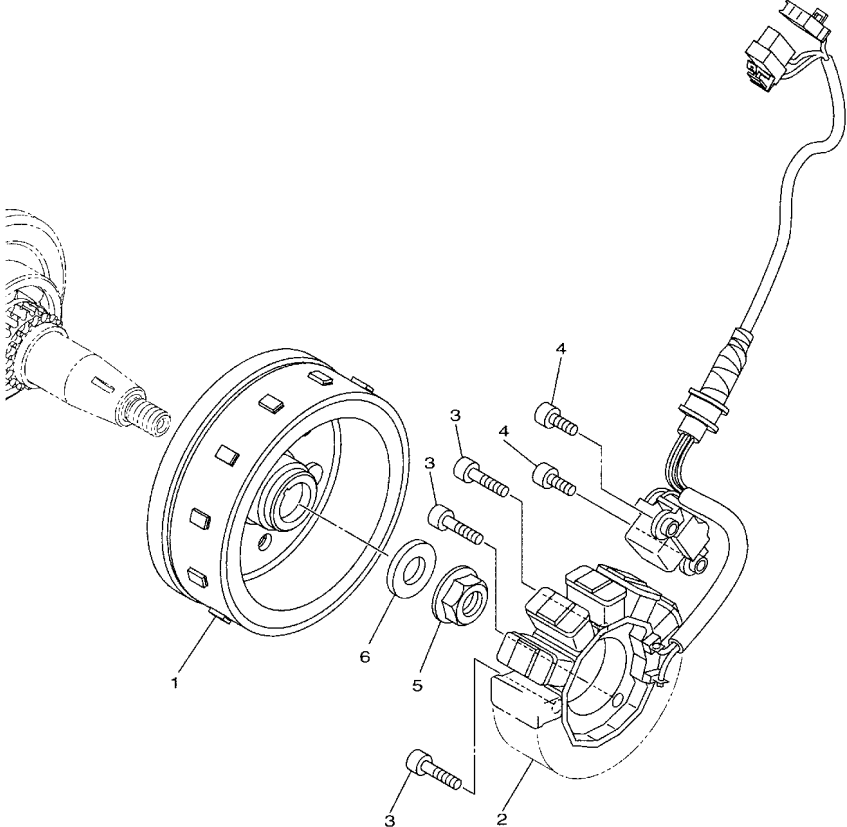
**FIG. 34 LEG SHIELD**

REF. NO.	PART NO.	DESCRIPTION	BHM1	REMARKS
27	B8D-F835V-00-P3	PANEL 2	1	UR FOR DPBMC
	B8D-F835V-00-P0	PANEL 2	1	UR FOR MLNM4
28	90183-05807	NUT, SPRING	2	
29	B7D-F8385-00	COVER, UNDER	1	
30	90111-06117	BOLT,HEX. SOCKET BUTTON	2	
31	90387-06899	COLLAR	2	
32	90480-12808	GROMMET	2	
33	97707-50016	SCREW, TRUSS HEAD TAPPING	2	
34	B7D-F8395-00	COVER, UNDER 2	1	
35	90111-06117	BOLT,HEX. SOCKET BUTTON	2	
36	90387-06899	COLLAR	2	
37	90480-12808	GROMMET	2	
38	B9D-F8365-00	COVER	1	
39	90109-068B3	BOLT	1	



B7D1431-U340

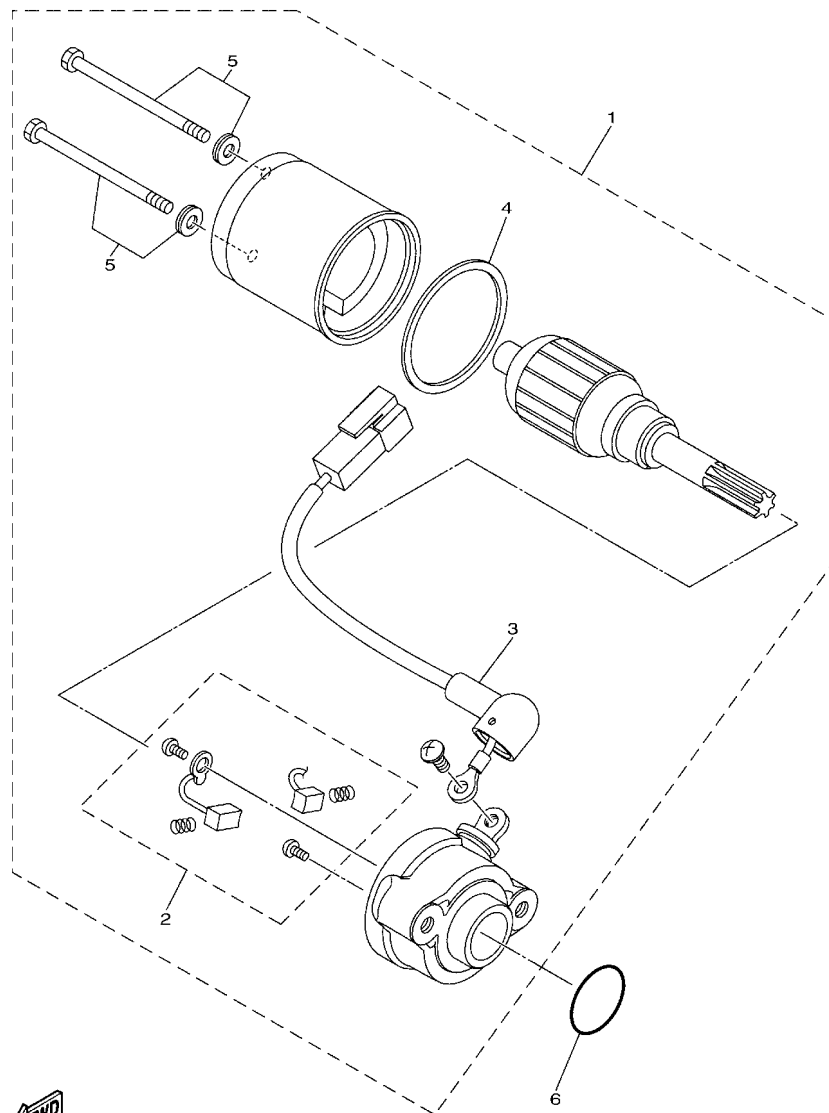
**FIG. 35 GENERATOR**



REF. NO.	PART NO.	DESCRIPTION	BHM1				REMARKS
1	2PV-H1450-01	ROTOR ASSY	1				
2	BK6-H1410-02	STATOR ASSY	1				
3	91312-06025	BOLT, HEXAGON SOCKET HEAD	3				
4	91312-06016	BOLT, HEXAGON SOCKET HEAD	2				
5	95702-12500	NUT, FLANGE	1				
6	90201-12019	WASHER, PLATE	1				

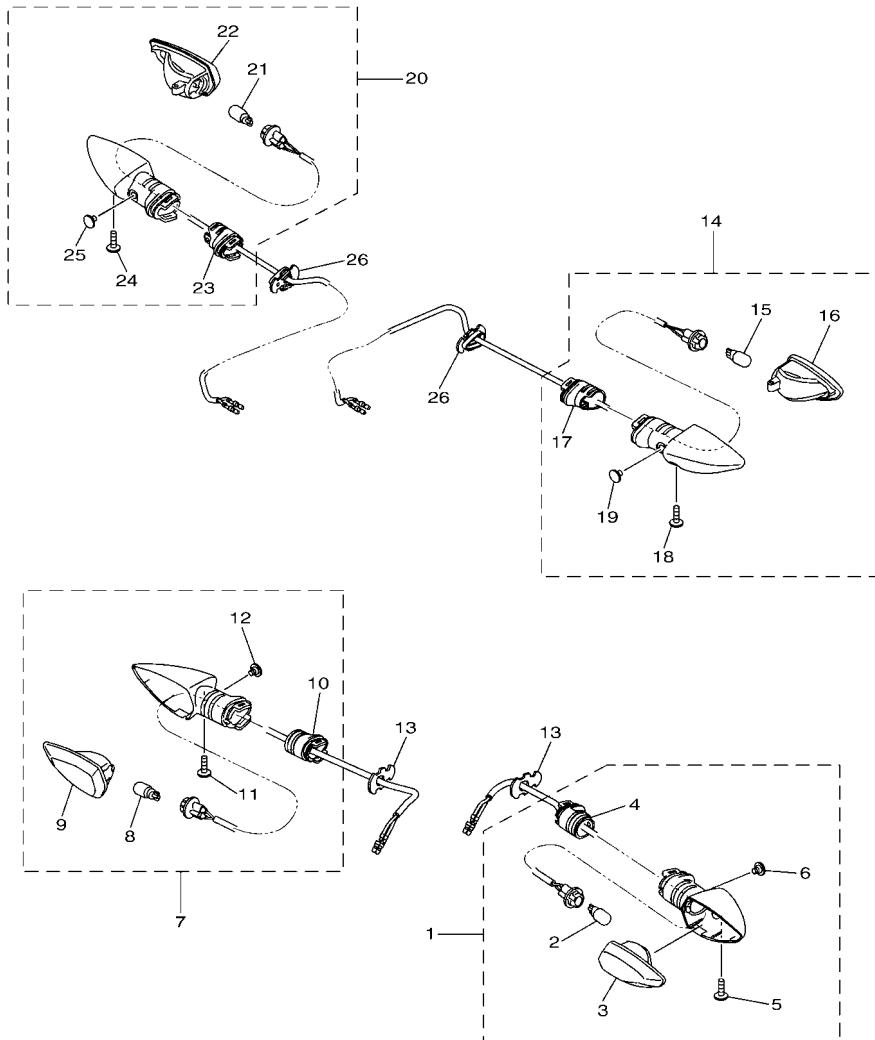
  
B7D1431-U350

**FIG. 36 STARTING MOTOR**



  
B7D1431-U360

REF. NO.	PART NO.	DESCRIPTION	BHM1				REMARKS
1	BK6-H1800-00	STARTING MOTOR ASSY	1				
2	2PH-H1801-10	.BRUSH SET	1				
3	1FD-H183G-00	.CORD COMP.	1				
4	5D9-H1861-00	.GASKET	1				
5	5D9-H1828-00	.SCREW SET	2				
6	93210-26805	O-RING	1				

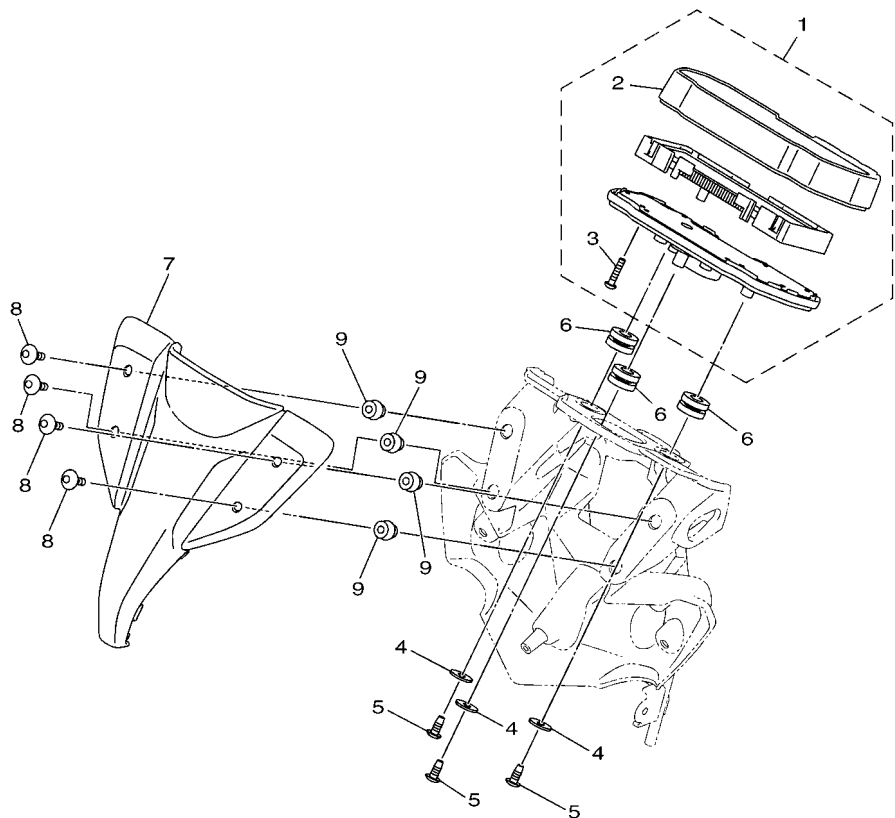


BFL1200-V370

FIG. 37 FLASHER LIGHT

REF. NO.	PART NO.	DESCRIPTION	BHM1				REMARKS
1	B48-H3310-00	FRONT FLASHER LIGHT ASSY 1	1				
2	2CB-H3311-00	.BULB, FLASHER (12V-10W)	1				
3	2CB-H333A-00	.LENS COMP 1	1				
4	1PA-H3328-00	.STAY, FLASHER 2	1				
5	1PA-H3333-00	.SCREW, LENS FITTING	1				
6	1PA-H3358-00	.SCREW, SPECIAL	1				
7	B48-H3320-00	FRONT FLASHER LIGHT ASSY 2	1				
8	2CB-H3311-00	.BULB, FLASHER (12V-10W)	1				
9	2CB-H334A-00	.LENS COMP 2	1				
10	1PA-H3328-00	.STAY, FLASHER 2	1				
11	1PA-H3333-00	.SCREW, LENS FITTING	1				
12	1PA-H3358-00	.SCREW, SPECIAL	1				
13	2PV-H3318-00	STAY, FLASHER 1	2				
14	B7D-H3330-00	REAR FLASHER LIGHT ASSY 1	1				
15	2CB-H3311-00	.BULB, FLASHER (12V-10W)	1				
16	2CB-H334A-00	.LENS COMP 2	1				
17	1PA-H3328-00	.STAY, FLASHER 2	1				
18	1PA-H3333-00	.SCREW, LENS FITTING	1				
19	1PA-H3358-00	.SCREW, SPECIAL	1				
20	B7D-H3340-00	REAR FLASHER LIGHT ASSY 2	1				
21	2CB-H3311-00	.BULB, FLASHER (12V-10W)	1				
22	2CB-H333A-00	.LENS COMP 1	1				
23	1PA-H3328-00	.STAY, FLASHER 2	1				
24	1PA-H3333-00	.SCREW, LENS FITTING	1				
25	1PA-H3358-00	.SCREW, SPECIAL	1				
26	3C1-H3318-00	STAY, FLASHER 1	2				

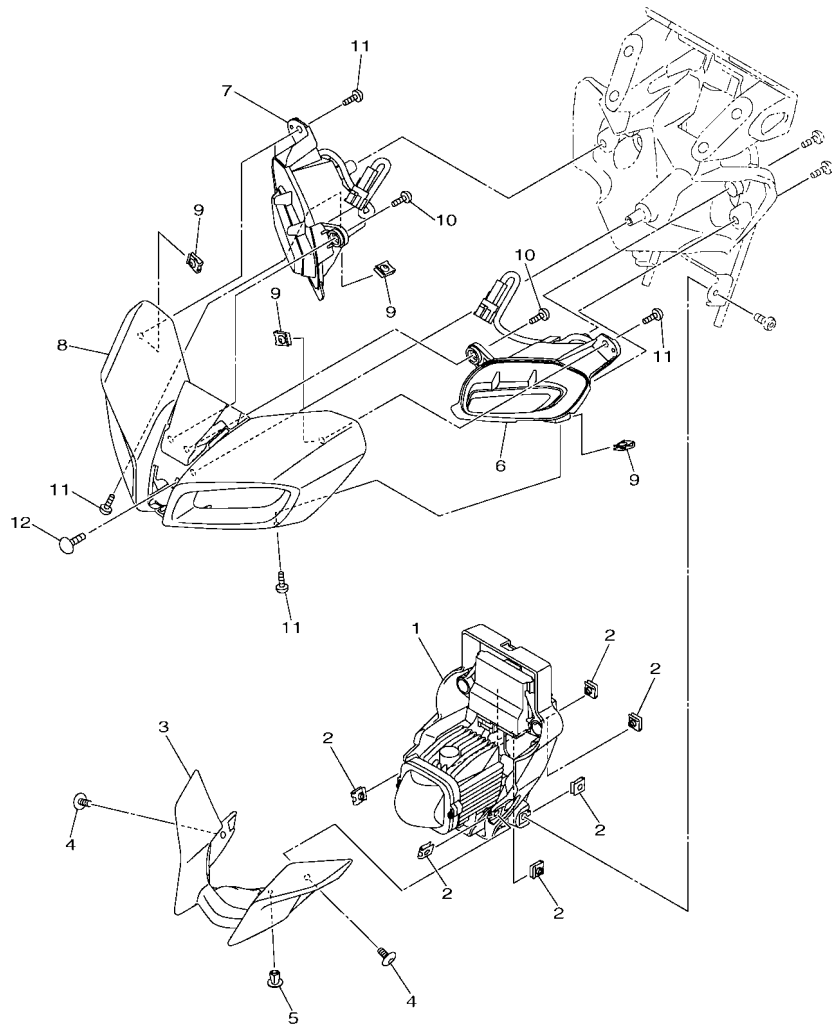
**FIG. 38 METER**



REF. NO.	PART NO.	DESCRIPTION	BHM1	REMARKS
1	B8D-H3500-02	METER ASSY	1	
2	B7D-H3571-01	.CASE, SPEEDOMETER UPPER	1	
3	97702-30016	.SCREW,TAPPING	9	
4	90201-05036	WASHER, PLATE	3	
5	97707-50014	SCREW, TRUSS HEAD TAPPING	3	
6	90480-14004	GROMMET	3	
7	B7D-F61AA-00	VISOR	1	
8	90111-05809	BOLT,HEX. SOCKET BUTTON	4	
9	90179-05849	NUT	4	

  
BFL1200-V380

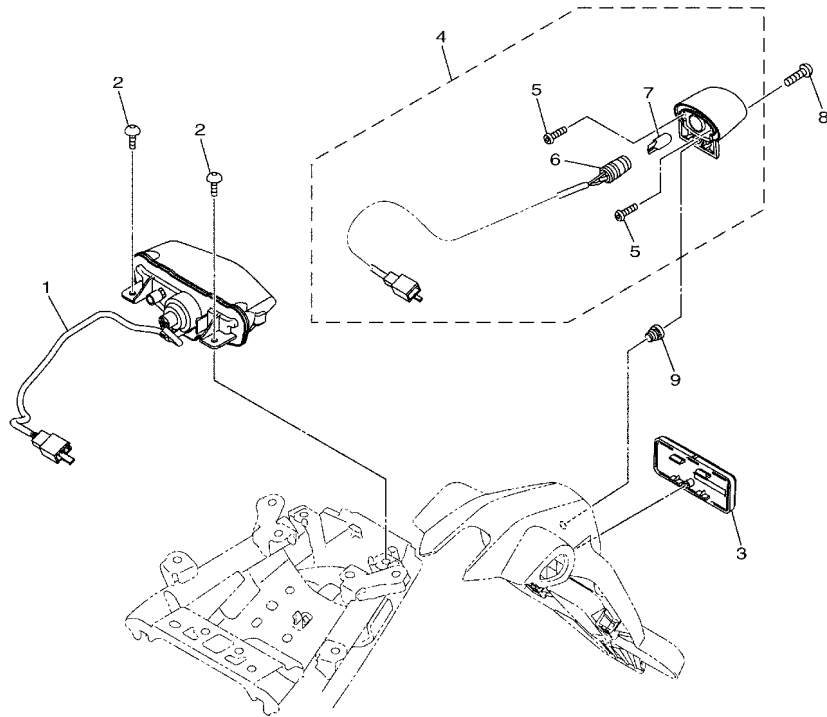
**FIG. 39 HEADLIGHT**



B7D1431-U390

REF. NO.	PART NO.	DESCRIPTION	BHM1				REMARKS
1	B7D-H4300-01	HEADLIGHT ASSY	1				
2	90183-050A7	NUT, SPRING	6				
3	B7D-F3122-00	COVER, OUTER 1	1				
4	90111-05003	BOLT,HEX. SOCKET BUTTON	2				
5	90269-06816	RIVET	1				
6	B7D-H4301-00	PILOT LIGHT ASSY 1	1				
7	B7D-H4302-00	PILOT LIGHT ASSY 2	1				
8	B8D-H4144-00-P0	COVER, HEADLIGHT	1				MBL2
9	90183-05807	NUT, SPRING	4				
10	97707-50012	SCREW, TRUSS HEAD TAPPING	2				
11	97707-50012	SCREW, TRUSS HEAD TAPPING	4				
12	97702-50016	SCREW,TAPPING	1				

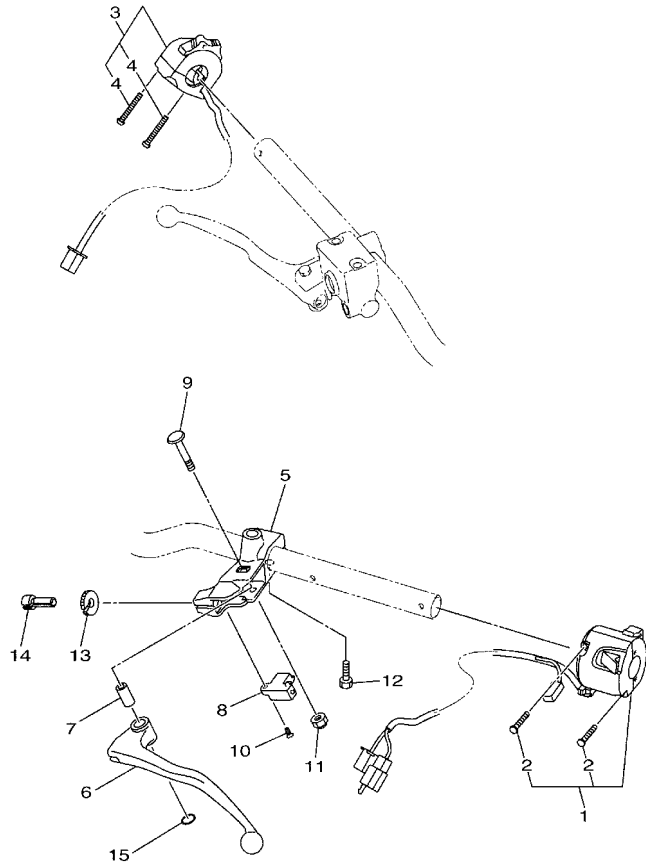
**FIG. 40 TAILLIGHT**



REF. NO.	PART NO.	DESCRIPTION	BHM1				REMARKS
1	B7D-H4710-00	TAILLIGHT UNIT ASSY	1				
2	97702-50016	SCREW,TAPPING	2				
3	BE1-H5130-00	REAR REFLECTOR ASSY	1				
4	BHM-H4740-00	LICENCE LIGHT ASSY	1				
5	1CK-H4726-00	.SCREW	2				
6	1WD-H4547-00	.CORD, LICENCE LIGHT	1				
7	1WD-H4744-00	.BULB (12V-5W)	1				
8	98907-04020	SCREW, BIND	1				
9	90179-04579	NUT	1				



B7D1431-U400



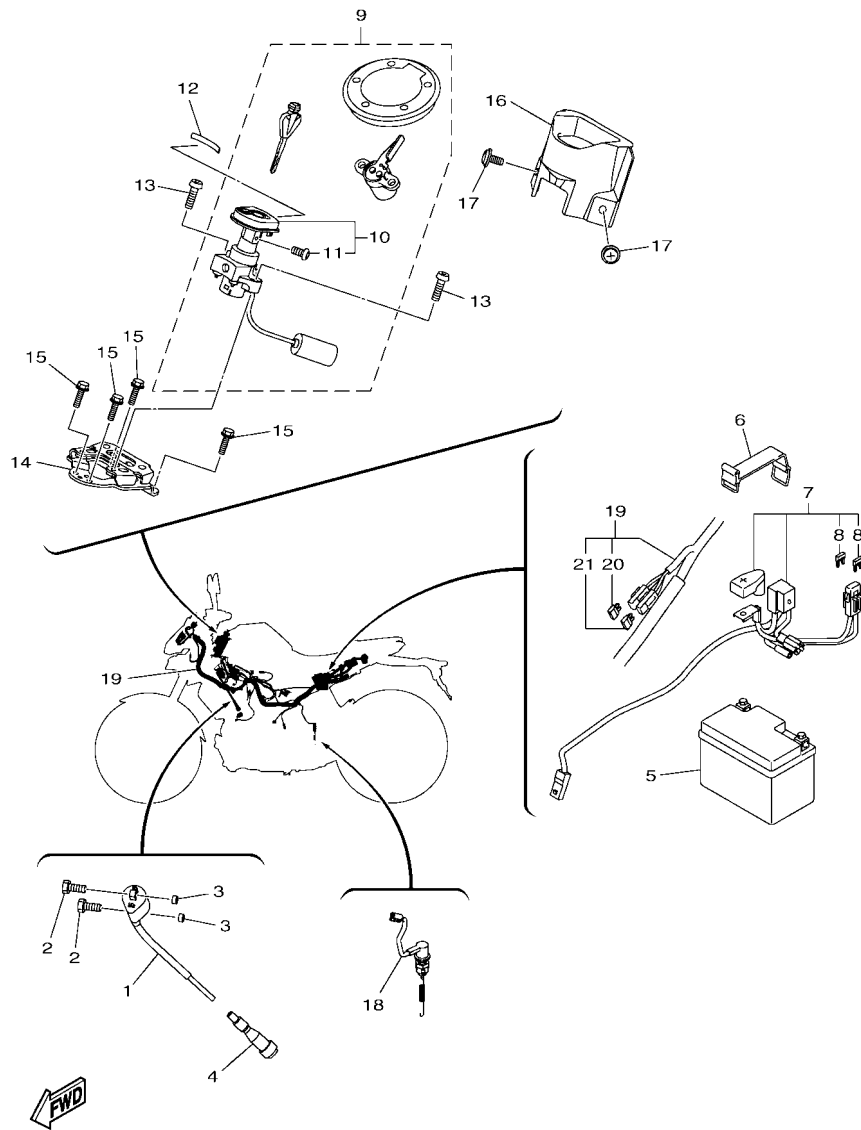
**FIG. 41 HANDLE SWITCH & LEVER**

REF. NO.	PART NO.	DESCRIPTION	BHM1				REMARKS
1	B8D-H3972-00	SWITCH, HANDLE 4	1				
2	98507-04025	.SCREW, PAN HEAD	2				
3	B8D-H3976-00	SWITCH, HANDLE 1	1				
4	98507-04025	.SCREW, PAN HEAD	2				
5	3KA-H2911-00	HOLDER, LEVER 1	1				
6	2TP-H3912-00	LEVER 1	1				
7	3KA-H3913-00	COLLAR, LEVER 1	1				
8	5BP-H2917-00	SWITCH	1				
9	3KA-H3945-00	BOLT, LEVER	1				
10	90151-03005	SCREW, COUNTERSUNK	1				
11	95602-06100	NUT, SELF-LOCKING	1				
12	97507-06525	BOLT, WITH WASHER	1				
13	90179-08148	NUT	1				
14	90123-08046	BOLT	1				
15	93210-108H5	O-RING	1				



B7D1431-U410



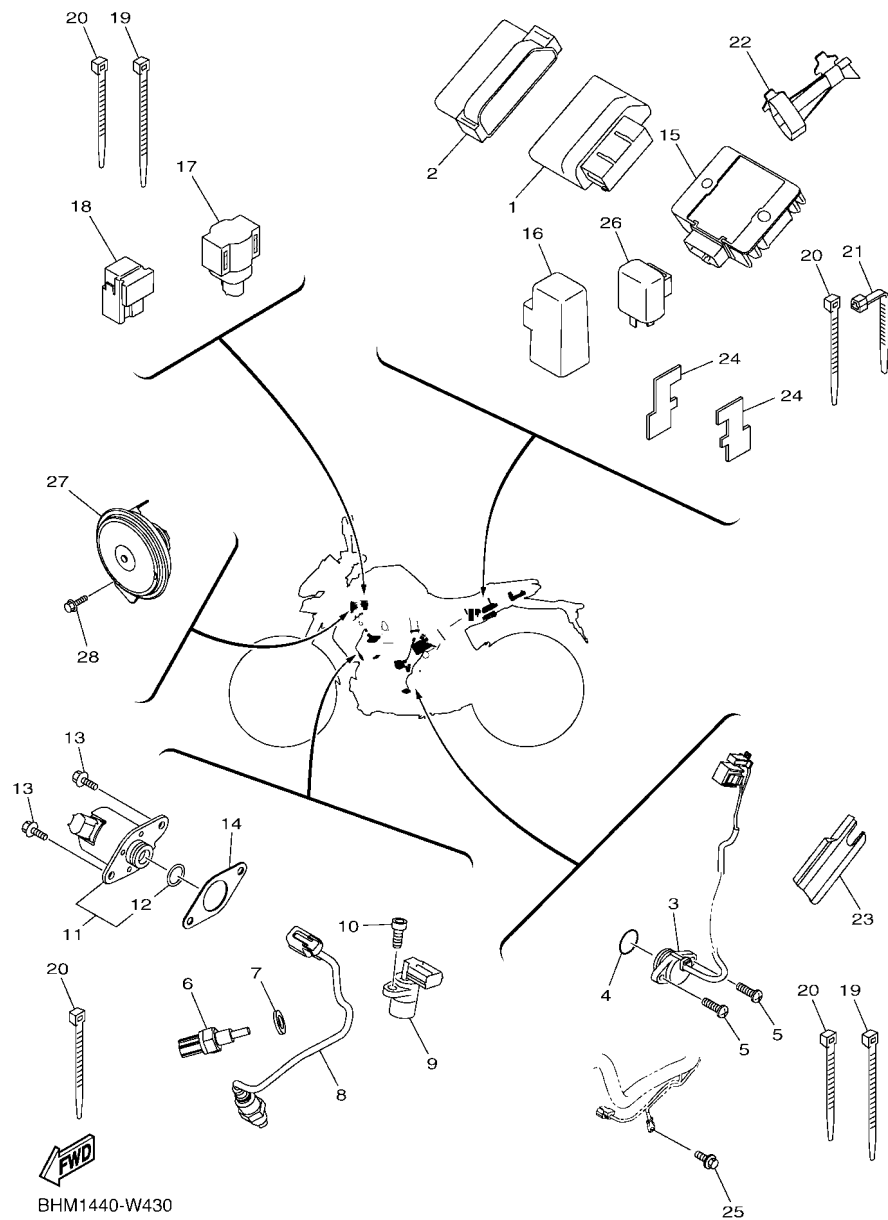


BHM1440-W420

FIG. 42 ELECTRICAL 1

REF. NO.	PART NO.	DESCRIPTION	BHM1				REMARKS
1	B0A-H2310-00	IGNITION COIL ASSY	1				
2	97080-06020	BOLT	2				
3	90387-06M30	COLLAR	2				
4	BK6-H2370-00	PLUG CAP ASSY	1				
5	14D-H2100-00	BATTERY ASSY (YUASA YTZ4V)	1				
6	B8D-H2131-00	BAND, BATTERY	1				
7	B8D-H2150-00	FUSE HOLDER ASSY	1				
8	B65-H2151-10	.FUSE (15A)	2				
9	B7D-XH250-00	MAIN SW. STRG. LOCK SUB ASSY	1				
10	B7D-H252E-00	.MAIN SWITCH COMP.	1				
11	97602-05208	..SCREW, PAN HEAD WITH WASHER	1				
12	90520-01804	DAMPER, PLATE	1				
13	90111-06177	BOLT,HEX. SOCKET BUTTON	2				
14	B8D-H252C-00	STAY, MAIN SWITCH	1				
15	90105-06090	BOLT, FLANGE	4				
16	BG7-H2568-00	COVER, MAIN SWITCH	1				
17	90159-06860	SCREW, WITH WASHER	2				
18	B2S-H2530-10	STOP SWITCH ASSY	1				
19	B8D-H2590-02	WIRE HARNESS ASSY	1				
20	B65-H2151-80	.FUSE (2A)	2				
21	B65-H2151-00	.FUSE (7.5A)	2				

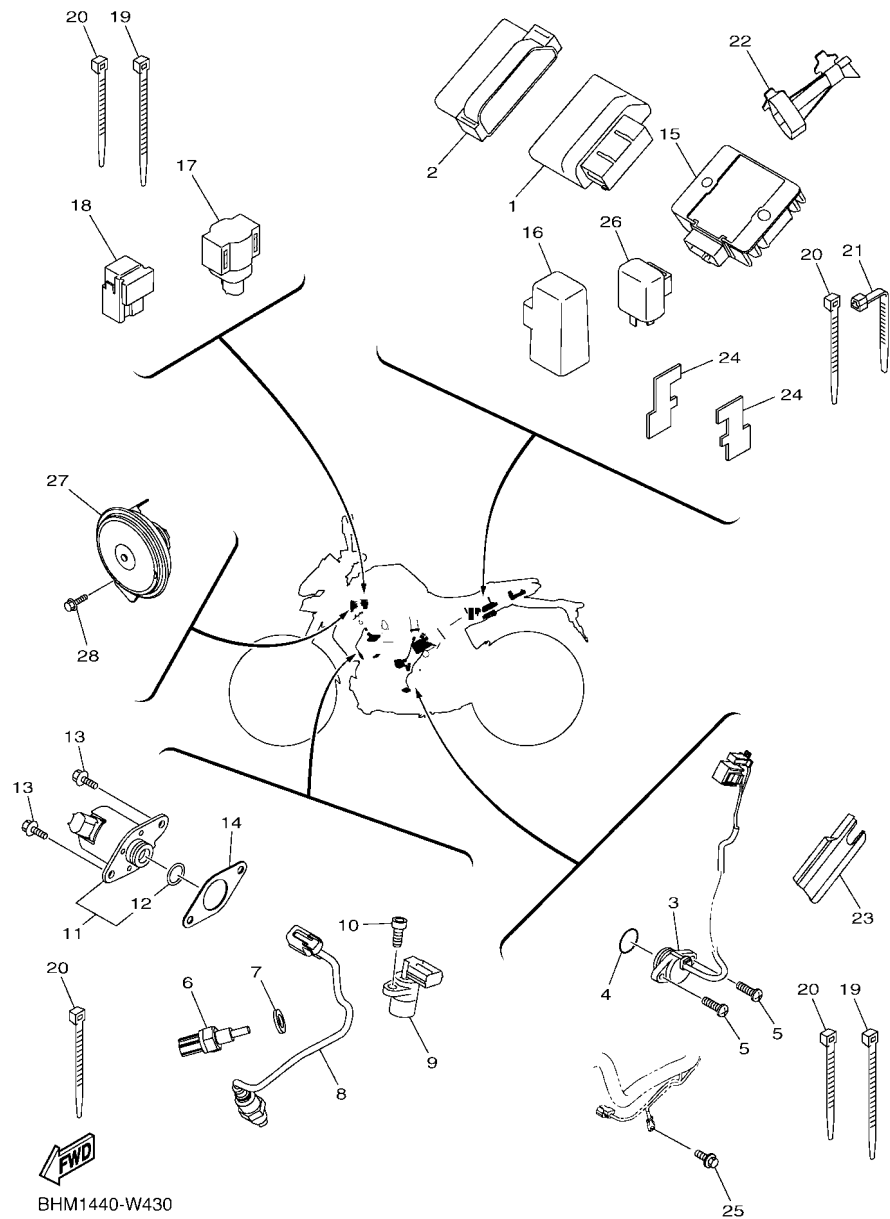
FIG. 43 ELECTRICAL 2



BHM1440-W430

REF. NO.	PART NO.	DESCRIPTION	BHM1				REMARKS
1	BHM-H591A-00	ENGINE CONTROL UNIT ASSY	1				
2	B8D-H5546-00	BAND	1				
3	BK6-H2540-01	NEUTRAL SWITCH ASSY	1				
4	93210-21801	O-RING	1				
5	98502-05016	SCREW,PAN HEAD	2				
6	54P-H3591-00	THERMO UNIT	1				
7	90430-10804	GASKET	1				
8	2DP-H592A-20	SENSOR, OXYGEN	1				
9	B48-H3755-01	SENSOR, SPEED	1				
10	91312-06014	BOLT, HEXAGON SOCKET HEAD	1				
11	BK6-H6110-00	SOLENOID	1				
12	BK6-H1847-00	.O-RING	1				
13	95D32-06016	BOLT, FLANGE DEEP RECESS	2				
14	BK6-H1861-00	GASKET	1				
15	BK8-H1960-00	RECTIFIER & REGULATOR ASSY	1				
16	B7D-H1940-00	STARTER RELAY ASSY	1				
17	1PA-H2576-00	SENSOR, LEAN ANGLE	1				
18	BK6-H1950-00	RELAY ASSY	1				
19	90464-50800	CLAMP	6				
20	90464-36800	CLAMP	7				
21	90464-13073	CLAMP	2				(125.0x7.0)
22	B8D-H1614-01	PROTECTOR	1				
23	B8D-H2589-00	PROTECTOR, WIRE HARNESS	1				
24	B8D-F117G-00	PROTECTOR	2				
25	95022-06012	BOLT, FLANGE	1				
26	1PA-H3350-00	FLASHER RELAY ASSY	1				
27	B7D-H3371-00	HORN	1				

**FIG. 43 ELECTRICAL 2**



BHM1440-W430

REF. NO.	PART NO.	DESCRIPTION	BHM1	REMARKS
28	95D32-06012	BOLT, FLANGE DEEP RECESS	1	





NUMERICAL INDEX

PART NO.	REF. NO.	PART NO.	REF. NO.	PART NO.	REF. NO.	PART NO.	REF. NO.	PART NO.	REF. NO.	PART NO.	REF. NO.
90179-04579	40 - 9	90201-220T0	21 - 12	90387-08079	21 - 22	90501-16800	2 - 19	93106-22808	28 - 5	94668-K1021	28 - 25
90179-05849	24 - 36	90201-22793	14 - 22	90387-08842	32 - 30	90501-18576	7 - 5	93106-26815	26 - 3	94700-00439	1 - 19
	24 - 40	90201-25290	12 - 5	90387-10003	32 - 4	90506-20193	32 - 26		28 - 8	95022-06010	1 - 4
	38 - 9	90202-26142	21 - 7	90387-10814	20 - 13	90506-28800	32 - 2	93210-09806	4 - 4		1 - 26
90179-08148	41 - 13	90208-20003	13 - 31	90387-15810	2 - 23	90508-09007	18 - 28	93210-108H5	41 - 15		14 - 30
90179-10805	17 - 4	90209-17285	14 - 3	90387-17804	14 - 14	90508-183B9	32 - 10	93210-148F8	11 - 6	95022-06012	43 - 25
	20 - 16	90209-18208	14 - 16	90401-10812	31 - 15	90508-184B0	32 - 21	93210-15620	33 - 7	95022-06016	11 - 11
90179-12808	13 - 4	90214-10800	2 - 18		33 - 25	90508-32837	16 - 5	93210-19809	5 - 15		25 - 11
90179-25615	21 - 6	90215-10803	2 - 27	90430-06014	1 - 5	90520-01804	42 - 12	93210-198F9	11 - 18	95022-06020	6 - 3
90183-03010	18 - 29	90215-14802	13 - 22		1 - 27	90520-03800	23 - 24	93210-21801	43 - 4	95022-06025	5 - 14
90183-050A7	18 - 23	90240-08005	33 - 16	90430-10804	43 - 7	90520-08007	23 - 25	93210-26805	36 - 6	95022-06030	1 - 11
	24 - 4	90240-08144	32 - 11	90445-16807	32 - 27	90520-08804	18 - 31	93210-32816	11 - 8		23 - 7
	39 - 2	90240-08145	32 - 22	90445-21848	32 - 6	90560-08326	18 - 11	93210-34802	7 - 6		23 - 12
90183-05807	18 - 13		32 - 39	90450-27806	6 - 20	91312-05010	23 - 16	93210-39803	5 - 12	95022-06040	10 - 6
	19 - 3	90241-03800	18 - 27	90450-43805	8 - 30		23 - 22	93210-54805	7 - 12		11 - 4
	19 - 8	90249-02002	32 - 14	90464-13073	43 - 21	91312-05016	4 - 2	93306-000Y3	5 - 8		11 - 15
	19 - 25	90252-18800	16 - 13	90464-18808	31 - 1	91312-06014	43 - 10	93306-001YJ	4 - 5	95022-06045	10 - 4
	19 - 29	90269-06816	18 - 18	90464-36800	43 - 20	91312-06016	35 - 4	93306-054XC	28 - 7	95022-06050	11 - 16
	24 - 3		19 - 4	90464-50800	43 - 19	91312-06020	8 - 3	93306-054XF	14 - 8	95022-06055	10 - 3
	24 - 7		19 - 9	90465-13M24	17 - 9	91312-06025	35 - 3	93306-203XK	2 - 24	95022-06070	10 - 5
	24 - 13		19 - 26	90467-08003	19 - 15	91312-10040	22 - 35		2 - 25	95022-06090	11 - 20
	24 - 19		19 - 30	90467-11825	8 - 29	91317-05035	30 - 14	93306-252YN	14 - 9	95022-08020	21 - 23
	24 - 21		24 - 37	90467-12052	8 - 28	91317-06030	30 - 8	93306-252YP	28 - 3	95027-06010	31 - 18
	24 - 24		24 - 41	90467-12085	33 - 12	91317-08030	21 - 16	93306-253X2	14 - 25		31 - 22
	34 - 11		34 - 7	90467-12800	8 - 23	91317-08035	21 - 10	93306-272YC	14 - 26		31 - 24
	34 - 22		34 - 18	90467-19803	6 - 5	91401-20012	33 - 18	93306-302YN	26 - 4	95027-06014	21 - 21
	34 - 26		39 - 5	90467-20804	8 - 25	91401-25015	32 - 12	93306-305X7	2 - 8	95027-06025	31 - 14
	34 - 28	90280-03017	2 - 10	90467-20805	6 - 22		32 - 23	93306-305XV	2 - 9	95302-08700	28 - 23
	39 - 9	90282-05031	2 - 26	90467-20806	6 - 6		32 - 40	93310-325YC	12 - 4		33 - 3
90183-06800	18 - 19	90338-06018	34 - 8	90480-01558	17 - 6	91810-14809	1 - 21	93310-526YT	2 - 3	95602-06100	31 - 12
90185-10815	21 - 15		34 - 19	90480-01559	34 - 9		1 - 22	93315-112Y8	13 - 28		41 - 11
90201-05036	38 - 4	90340-12813	1 - 3		34 - 20		10 - 2	93315-317Y1	20 - 12	95602-06200	18 - 30
90201-06029	18 - 9	90340-14824	11 - 5	90480-01803	6 - 17		11 - 3	93317-218Y1	20 - 3		18 - 38
90201-06557	18 - 37	90340-32823	11 - 7	90480-10623	34 - 10		11 - 14	93410-20038	14 - 4	95602-08200	28 - 12
90201-06828	33 - 22	90387-06205	18 - 2		34 - 21	92012-06016	20 - 10	93410-22039	14 - 17	95602-10200	32 - 5
90201-06880	6 - 15	90387-064W3	6 - 16	90480-12072	18 - 5		20 - 19		14 - 23	95602-12200	20 - 7
90201-08066	33 - 17	90387-06899	24 - 11	90480-12805	18 - 3		20 - 22	93450-16115	2 - 13	95602-14200	26 - 9
90201-08612	9 - 7		24 - 17	90480-12808	24 - 9		24 - 27	93501-04830	32 - 27		28 - 19
90201-08859	1 - 18		34 - 31		24 - 15	92017-05016	24 - 29	93505-16844	13 - 27	95607-06200	18 - 16
90201-10021	32 - 28		34 - 36		34 - 32	92017-08025	33 - 19	93604-08800	2 - 20	95612-08618	1 - 6
90201-10066	32 - 15	90387-068M3	23 - 6		34 - 37	92902-06200	16 - 12	93608-30839	16 - 7	95702-06500	18 - 8
90201-10118	31 - 16		23 - 11	90480-14004	38 - 6	93101-10843	11 - 19	93822-14800	14 - 28	95702-08500	9 - 6
	33 - 26	90387-068P5	18 - 6	90480-15363	6 - 13	93102-08800	1 - 14	93900-00824	26 - 6	95702-12500	35 - 5
90201-12019	13 - 3	90387-068S1	20 - 9	90480-18813	23 - 5	93102-12862	13 - 29		28 - 15	95707-05500	18 - 35
	35 - 6		20 - 20		23 - 10	93102-12891	16 - 8	94111-17801	26 - 5	95707-06500	25 - 7
90201-15814	28 - 20		20 - 23	90501-06022	15 - 3	93102-22827	14 - 27	94114-17802	28 - 14	95812-06030	8 - 12
90201-15821	2 - 17		21 - 20	90501-06800	15 - 8	93103-10801	5 - 3	94568-J9096	4 - 11	95822-06012	18 - 17
90201-173F4	14 - 24	90387-06M30	42 - 3	90501-12743	32 - 36	93106-17801	20 - 17	94568-K1131	28 - 24	95822-06014	25 - 9

NUMERICAL INDEX

PART NO.	REF. NO.	PART NO.	REF. NO.	PART NO.	REF. NO.	PART NO.	REF. NO.	PART NO.	REF. NO.	PART NO.	REF. NO.
95D32-06012	43 - 28										
95D32-06016	43 - 13										
95D32-06025	6 - 14										
95E32-06012	7 - 14										
95E32-06014	4 - 10										
95E32-06020	7 - 10										
95E32-06025	4 - 20										
95E32-06080	7 - 11										
97012-06020	16 - 15										
97080-06020	42 - 2										
97507-06525	41 - 12										
97602-05208	42 - 11										
97702-30016	38 - 3										
97702-50012	24 - 31										
	24 - 33										
97702-50016	18 - 22										
	24 - 12										
	24 - 18										
	24 - 22										
	24 - 25										
	39 - 12										
	40 - 2										
97707-50012	21 - 19										
	34 - 6										
	34 - 17										
	39 - 10										
	39 - 11										
97707-50014	38 - 5										
97707-50016	19 - 19										
	19 - 22										
	19 - 24										
	19 - 28										
	34 - 33										
97707-50025	8 - 21										
98502-05016	43 - 5										
98507-04025	41 - 2										
	41 - 4										
98507-06020	18 - 36										
98507-06025	33 - 23										
98512-06012	14 - 11										
98907-04020	40 - 8										
99001-10600	16 - 6										
99009-20500	13 - 30										
99530-08012	1 - 12										